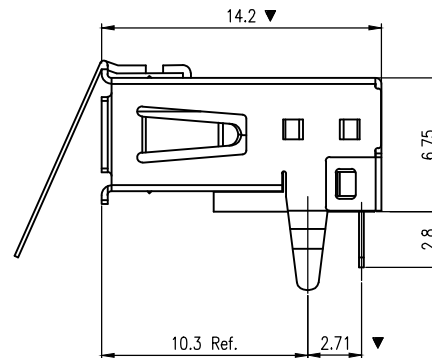
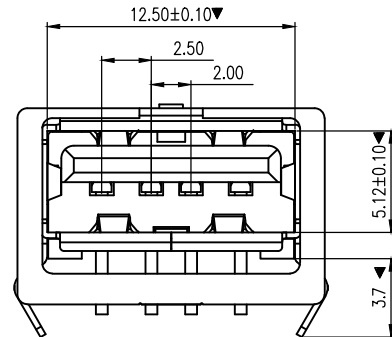
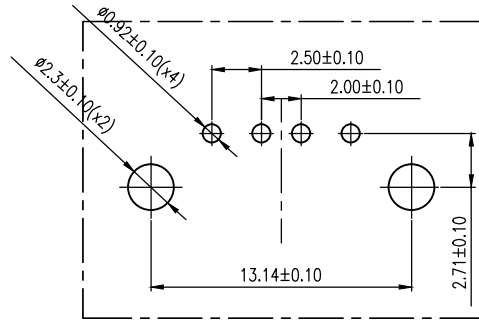
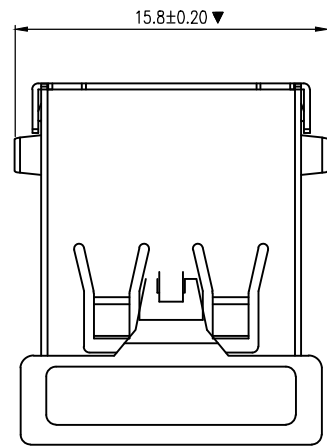


REV	DESCRIPTION	ECN. NO.	APPROVED/DATE
△	NEW RELEASE		BRIAN 03/18/12



NOTES:

- HOUSING MATERIAL: THERMOPLASTIC
- CONTACT MATERIAL: PHOSPHOR BRONZE ,T=0.25±0.01mm
- SHELL MATERIAL: BRASS ,T=0.30±0.01mm
- SPRING MATERIAL: BRASS ,T=0.30±0.01mm
- CONTACT PLATING :

NICKEL UNDER PLATING OVER ALL
GOLD PLATING AT CONTACT AREA
TIN PLATING AT SOLDERING AREA

- SHELL PLATING: NICKEL
- CONTROL DIMENSIONS INDICATED FROM "▼"
- ELECTRICAL CHARACTER:

- CURRENT RATING: 1.5A AT 250 VAC MIN.
- LOW LEVEL CONTACT RESISTANCE: 30 mΩ MAX;
- INSULATION RESISTANCE: 1000 MΩ MIN
- DIELECTRIC WITHSTANDING VOLTAGE: 500V AC FOR 1 MINUTE

PART NO. CODE:

U2A024 - 4 * * - * *
① ② ③ ④ ⑤ ⑥

① SERIES:

U2A024: USB 2.0 CONN, SERIES A, SINGLE DECK.
RIGHT ANGLE THROUGH HOLE TYPE

② POSITIONS:

4: 4 POSITIONS

③ COLOR OF HOUSING:

K: BLACK
W: WHITE
C: CREAM-COLOR

④ CONTACT PLATING:

- PLATING Au 1u" MIN
- PLATING Au 3u" MIN
- PLATING Au 10u" MIN
- PLATING Au 15u" MIN
- PLATING Au 30u" MIN

⑤ ENVIRONMENT:

O: RoHS
H: HALOGEN FREE

⑥ WAY OF PACKING:

T : TRAY
R : TAPE & REEL
B : WATERPROOF BAG

BILL OF MATERIAL :

ITEM	PART NAME	Q'TY/EA	DRAWING NO.	PART NO.	MATERIAL	PLATING
4	SPRING	1	S-ST-001-2-03	S-001-2-24**0000	BRASS	PLATING NICKEL
3	SHELL	1	S-ST-001-2-00	S-001-2-14****00	BRASS	PLATING NICKEL
2	CONTACT	4	T-ST-002-1-00	T-002-1-1****00	PHOSPHOR BRONZE	AU OVER Ni
1	HOUSING	1	I-ST-001-2-00	I-001-2-14****00	THERMOPLASTIC	N/A

GENERAL TOLERANCE	ANGLE TOLERANCE
X. ±0.38	X.° ±2.0°
.X ±0.25	.X' ±1.0°
.XX ±0.13	.XX" ±0.5°
.XXX ±0.05	

NAME (INTENDED USE)	SCALE
CUSTOMER DRAWING	1 : 1
PART NO.	UNIT mm
U2A024-4**-*	

APPROVED:	DATE
Brian	03/18/12
CHECKED:	DATE
Tony	03/18/12
DESIGN:	DATE
Michael	03/18/12

PALCONN	
PALCONN TECHNOLOGY CO.,LTD.	
TITLE: USB 2.0 CONN, SERIES A, SINGLE DECK. RIGHT ANGLE THROUGH HOLE TYPE	
SERIES: USB SERIES A	SIZE A4
DRAWING NO.: C-U2A024-00	REV. 0

MAJOR(QC CHECKED)	SCALE
▼ = 6 places	1 : 1
CRITICAL: ∇=0 places	UNIT
	mm
SHEET 1 OF 1	