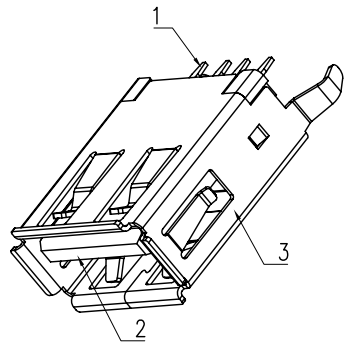
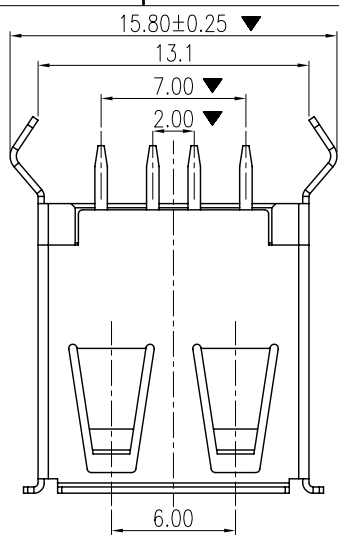


1 2 3 4 5 6 7 8

REV	DESCRIPTION	ECN. NO.	APPROVED/DATE
0	NEW RELEASE		Brain 03/13/12'



NOTES:  
 1. SHELL MATERIALS: BRASS, C2680R-H , T=0.30mm  
 2. HOUSING MATERIALS: PBT+30%G.F, UL94V-0  
 3. CONTACT MATERIALS: BRASS, C2680-EH, T=0.25mm  
 4. CONTACT PLATING:  
 NICKEL UNDERPLATING OVER ALL  
 GOLD PLATING AT CONTACT AREA  
 TIN PLATING AT SOLDERING AREA  
 5. SHELL PLATING: NICKEL  
 6. CONTROL DIMENSIONS INDICATED FROM " ▼ "

PART NO. CODE  
 U2A006 - 4 \* \* - \* \*  
 ① ② ③ ④ ⑤ ⑥

① SERIES:  
 U2A006: USB CON, SERIES A, SINGLE DECK.  
 VERTICAL ANGLE THROUGH HOLE TYPE

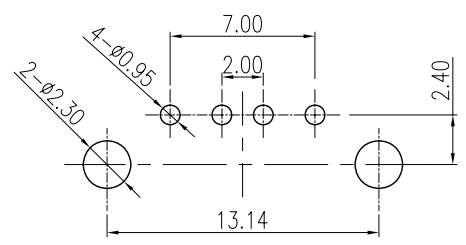
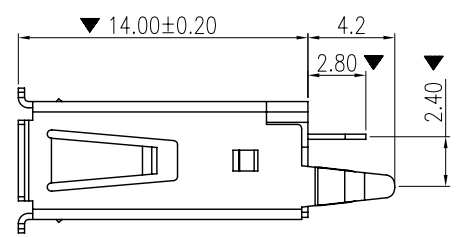
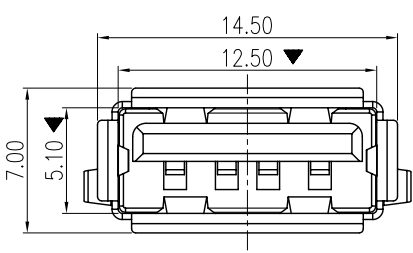
② POSITIONS:  
 4: 4 POSITIONS.

③ INSULATOR COLOR:  
 K: BLACK  
 W: WHITE  
 C: CREAM-COLOR

④ CONTACT PLATING:  
 1: Au 1u"  
 2: Au 3~5u"  
 4: Au 15u"  
 5: Au 30u"

⑤ ENVIRONMENT:  
 0: RoHS  
 H: HALOGEN FREE

⑥ WAY OF PACKING:  
 T: TRAY  
 R: TAPE & REEL  
 B: WATERPROOF BAG



PCB LAYOUT (TOP VIEW)

BILL OF MATERIAL :

3	OUTER SHELL	1	S-ST-001-1-00	S-001-1-14****00	BRASS	NICKEL
2	HOUSING	1	I-ST-001-1-00	I-001-1-14****00	PBT	N/A
1	CONTACT	4	T-ST-001-G-00	T-001-G-14****00	BRASS	GOLD
ITEM	PART NAME	Q'TY/EA	DRAWING NO:	PART NO.	MATERIAL	PLATING

GENERAL TOLERANCE X. ±0.30 .X ±0.20 .XX ±0.10 .XXX ±0.05	ANGLE TOLERANCE X.' ±2.0' .X' ±1.0' .XX' ±0.5'	NAME(INTENDED USE) CUSTOMER DRAWING	<b>PALCONN</b> PALCONN TECHNOLOGY CO.,LTD.
MAJOR(QC CHECKED) ▼ = 9 places	SCALE 1 : 1	APPROVED: Brain DATE 03/13/12'	
CRITICAL: ▼ = 0 places	UNIT mm	CHECKED: Tony DATE 03/13/12'	TITLE: USB CONNECTOR, SERIES A, SINGLE DECK. V/T TYPE.
SHEET 1 OF 1		DESIGN: Steve DATE 03/13/12'	SERIES: USB SERIES SIZE: A4
		DRAWING NO: C-U2A006-00	REV. 0

1 2 3 4 5 6 7 8