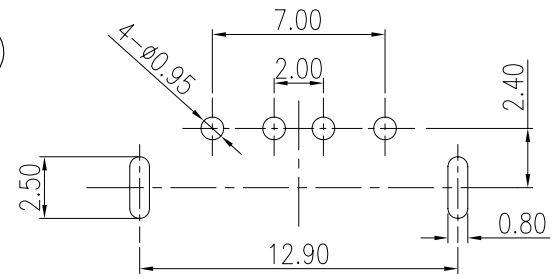
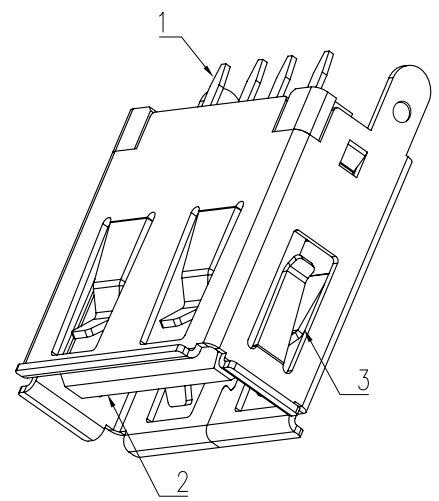
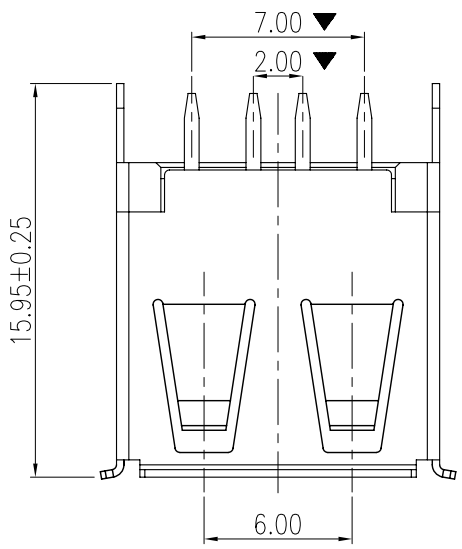


REV	DESCRIPTION	ECN. NO.	APPROVED/DATE
0	NEW RELEASE		Brian 03/15/12'

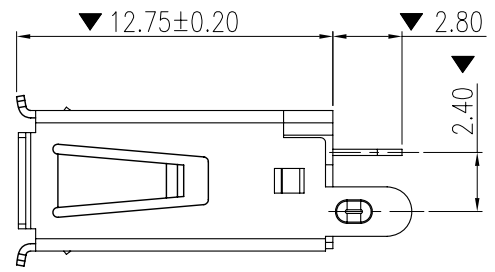
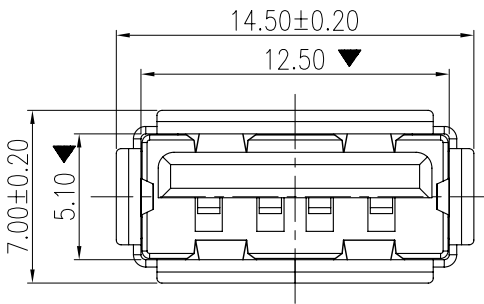
A  
B  
C  
D  
E  
F



PCB LAYOUT (TOP VIEW)

- NOTES:
- INSULATOR MATERIAL: THERMOPLASTIC
  - CONTACT MATERIAL: PHOSPHOR BRONZE, T=0.25±0.01mm
  - SHELL MATERIAL: BRASS T=0.30±0.01mm
  - CONTACT PLATING:  
NICKEL UNDERPLATING OVER ALL  
GOLD PLATING AT CONTACT AREA  
TIN PLATING AT SOLDERING AREA
  - SHELL PLATING: NICKEL
  - ELECTRICAL PERFORMANCES:  
6.1 CURRENT RATING: 1.5A AT 250 VAC MIN.  
6.2 CONTACT RESISTANCE: 30 mΩ MAX;  
6.3 INSULATION RESISTANCE: 1000 MΩ MIN  
6.4 DIELECTRIC WITHSTANDING VOLTAGE:  
500V AC FOR 1 MINUTE
  - CONTROL DIMENSIONS INDICATED FROM \*▼"

- PART NO. CODE:  
U2A015 - 4 \* \* \* - \* \*  
① ② ③ ④ ⑤ ⑥
- SERIES:  
U2A015: USB CON, SERIES A, SINGLE DECK.  
VERTICAL ANGLE THROUGH HOLE TYPE
  - POSITION:  
4: 4 POSITION
  - COLOR OF HOUSING:  
K: BLACK  
W: WHITE
  - CONTACT PLATING:  
1: Au 1u"  
2: Au 3~5u"  
3: Au 10u"  
4: Au 15u"  
5: Au 30u"
  - ENVIRONMENT:  
D: RoHS  
H: HALOGEN FREE
  - WAY OF PACKING:  
T: TRAY  
R: TAPE & REEL  
B: WATERPROOF BAG



BILL OF MATERIAL :

3	SHELL	1	S-ST-001-1-02	S-001-1-14***200	BRASS	PLATING NICKEL
2	CONTACT	4	T-ST-001-G-00	T-001-G-14***000	PHOSPHOR BRONZE	AU OVER Ni
1	HOUSING	1	I-ST-001-1-01	T-001-G-14***000	THERMOPLASTIC	N/A
ITEM	PART NAME	Q'TY	DRAWING NO.	PART NO.	MATERIAL	PLATING

GENERAL TOLERANCE X. ±0.38 .X ±0.25 .XX ±0.13 .XXX ±0.05	ANGLE TOLERANCE X.° ±2.0° .X° ±1.0° .XX° ±0.5°	NAME<INTENDED USE> CUSTOMER DRAWING PART NO. U2A015****	 PALCONN TECHNOLOGY CO.,LTD	
MAJOR(QC CHECKED) ▼ = 7 places	SCALE 1 : 1	APPROVED: Brian	DATE 03/15/12'	TITLE: USB CON, SERIES A, SINGLE DECK. VERTICAL ANGLE THROUGH HOLE TYPE
CRITICAL:▼=0 places	UNIT mm	CHECKED: Tony	DATE 03/15/12'	SERIES: USB SERIES
SHEET 1 OF 1		DESIGN: Steve	DATE 03/15/12'	SIZE A4
				DRAWING NO: C-U2A015-00
				REV. 0