

REV	DESCRIPTION	ECN. NO.	APPROVED/DATE
△	NEW RELEASE		BRIAN 03/17/12

NOTES:

1. INSULATOR MATERIAL : THERMOPLASTIC
2. CONTACT MATERIAL : PHOSPHOR BRONZE, T=0.25±0.01mm
3. SHELL MATERIAL : BRASS, T=0.30±0.01mm
4. CONTACT PLATING :
NICKEL UNDER PLATING OVER ALL
GOLD PLATING AT CONTACT AREA
TIN PLATING AT SOLDERING AREA
5. SHELL PLATING : NICKEL
6. ELECTRICAL CHARACTER:
6.1 CURRENT RATING: 1.5A AT 250 VAC MIN.
6.2 LOW LEVEL CONTACT RESISTANCE: 30 mΩ MAX;
6.3 INSULATION RESISTANCE: 1000 MΩ MIN
6.4 DIELECTRIC WITHSTANDING VOLTAGE: 500V AC FOR 1 MINUTE

PART NO. CODE:

U2A017 - 4 * * - * *
① ② ③ ④ ⑤ ⑥

① SERIES:

U2A017: USB 2.0 CONN, SERIES A, SINGLE DECK.
RIGHT ANGLE THROUGH HOLE TYPE

② POSITIONS:

4: 4 POSITIONS

③ COLOR OF HOUSING:

K: BLACK

W: WHITE

C: CREAM-COLOR

④ CONTACT PLATING:

1: PLATING Au 1u" MIN

2: PLATING Au 3u" MIN

3: PLATING Au 10u" MIN

4: PLATING Au 15u" MIN

5: PLATING Au 30u" MIN

⑤ ENVIRONMENT:

O: RoHS

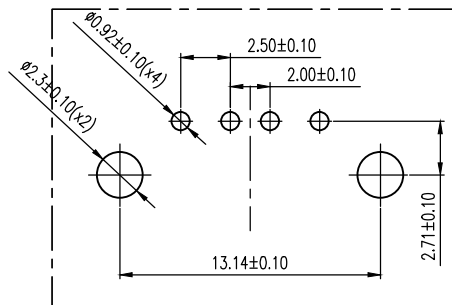
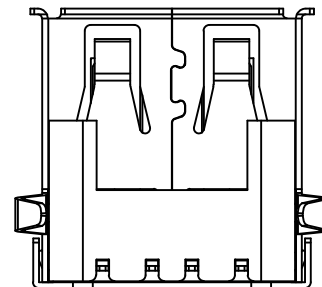
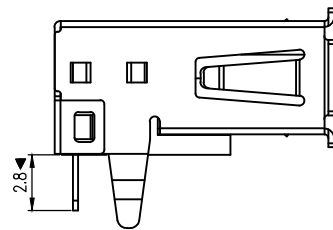
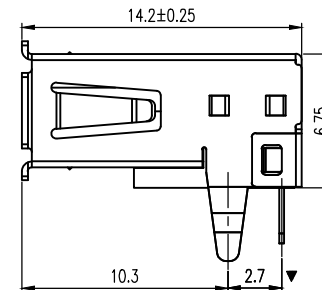
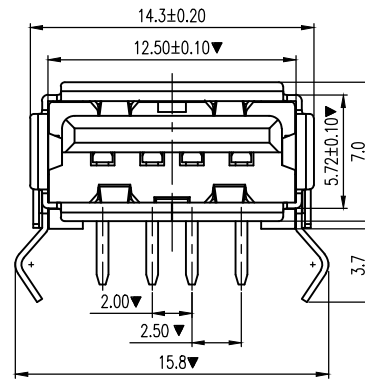
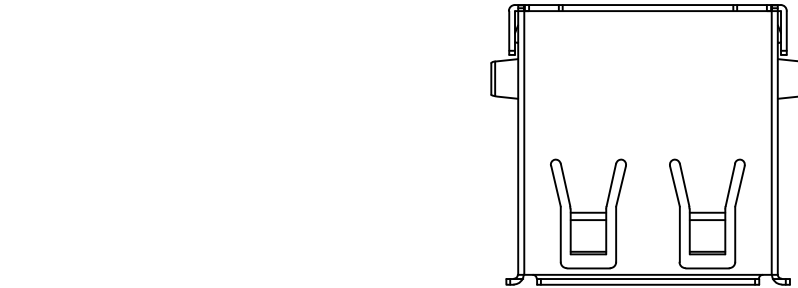
H: HALOGEN FREE

⑥ WAY OF PACKING:

T : TRAY

R : TAPE & REEL

B : WATERPROOF BAG



PCB LAYOUT

GENERAL TOLERANCE	ANGLE TOLERANCE	NAME (INTENDED USE)		PALCONN
X. ±0.38	X.° ±2.0°	CUSTOMER DRAWING		
.X ±0.25	.X' ±1.0°	PART NO.		
.XX ±0.20	.XX' ±0.5°	U2A017-4**-**		PALCONN TECHNOLOGY CO., LTD.
.XXX ±0.15		APPROVED:	DATE	TITLE:
MAJOR (QC CHECKED)	SCALE 1 : 1	Brian	03/17/12	USB 2.0 CONN, SERIES A, SINGLE DECK
▽ = 7 places		CHECKED:	DATE	RIGHT ANGLE THROUGH HOLE TYPE
CRITICAL: ▽ = 0 places	UNIT mm	Tony	03/17/12	SERIES: USB SERIES A
		DESIGN:	DATE	SIZE A4
SHEET 1 OF 1		Michael	03/17/12	DRAWING NO.: C-U2A017-00
				REV. 0

BILL OF MATERIAL :

ITEM	PART NAME	Q'TY/EA	DRAWING NO.	PART NO.	MATERIAL	PLATING
3	SHELL	1	S-ST-001-2-00	S-001-2-14****00	BRASS	PLATING NICKEL
2	CONTACT	4	T-ST-002-1-00	T-002-1-1****00	PHOSPHOR BRONZE	AU OVER Ni
1	HOUSING	1	I-ST-001-2-00	I-001-2-14****00	THERMOPLASTIC	N/A