

REV	DESCRIPTION	ECN. NO.	APPROVED/DATE
△	NEW RELEASE		BRIAN 03/18/12

NOTES:

1. HOUSING MATERIAL: THERMOPLASTIC
2. CONTACT MATERIAL: PHOSPHOR BRONZE ,T=0.25±0.01mm
3. BACK SHELL MATERIAL: BRASS ,T=0.30±0.01mm
4. CONTACT PLATING :  
NICKEL UNDER PLATING OVER ALL  
GOLD PLATING AT CONTACT AREA  
TIN PLATING AT SOLDERING AREA
5. SHELL PLATING: NICKEL
6. CONTROL DIMENSIONS INDICATED FROM "▼"
7. ELECTRICAL CHARACTER:  
7.1 CURRENT RATING: 1.5A AT 250 VAC MIN.  
7.2 LOW LEVEL CONTACT RESISTANCE: 30 mΩ MAX;  
7.3 INSULATION RESISTANCE: 1000 MΩ MIN  
7.4 DIELECTRIC WITHSTANDING VOLTAGE: 500V AC FOR 1 MINUTE

PART NO. CODE:

U2A026 - 4 \* \* - \* \*  
① ② ③ ④ ⑤ ⑥

① SERIES:

U2A026: USB 2.0 CONN, SERIES A, SINGLE DECK.  
RIGHT ANGLE THROUGH HOLE TYPE

② POSITIONS:

4: 4 POSITIONS

③ COLOR OF HOUSING:

K: BLACK

W: WHITE

C: CREAM-COLOR

④ CONTACT PLATING:

1: PLATING Au 1u" MIN

2: PLATING Au 3u" MIN

3: PLATING Au 10u" MIN

4: PLATING Au 15u" MIN

5: PLATING Au 30u" MIN

⑤ ENVIRONMENT:

0: RoHS

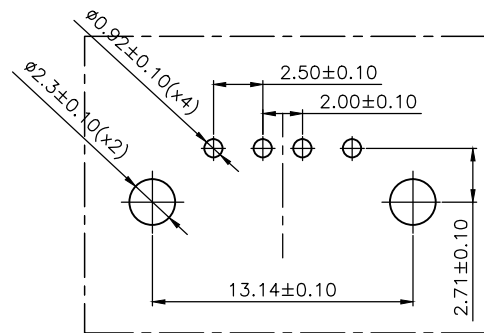
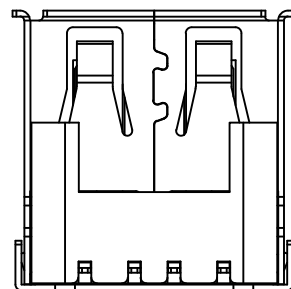
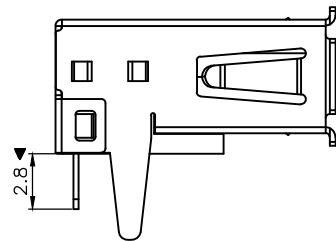
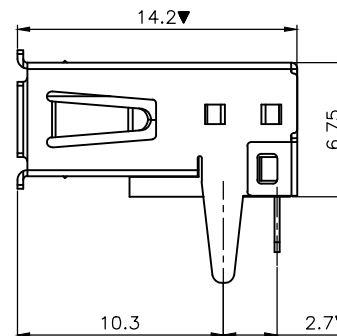
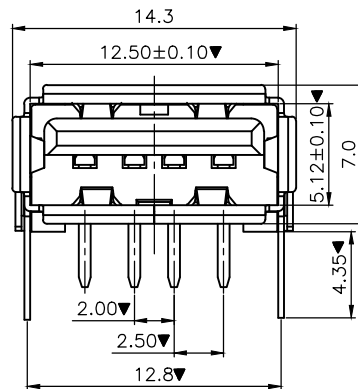
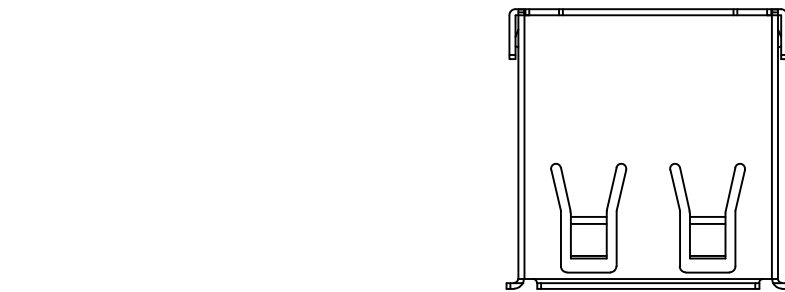
H: HALOGEN FREE

⑥ WAY OF PACKING:

T : TRAY

R : TAPE & REEL

B : WATERPROOF BAG



PCB LAYOUT

GENERAL TOLERANCE	ANGLE TOLERANCE	NAME(INTENDED USE)	PALCONN
X. ±0.38 .X ±0.25 .XX ±0.20 .XXX ±0.15	X.' ±2.0° .X' ±1.0° .XX' ±0.5°	CUSTOMER DRAWING	
MAJOR(QC CHECKED) ▼ = 9 places	SCALE 1 : 1	PART NO. U2A026-4**-**	PALCONN TECHNOLOGY CO.,LTD.
CRITICAL: ▼=0 places	UNIT mm	APPROVED: Brian DATE 03/18/12	TITLE: USB 2.0 CONN, SERIES A, SINGLE DECK. RIGHT ANGLE THROUGH HOLE TYPE
SHEET 1 OF 1		CHECKED: Tony DATE 03/18/12	SERIES: USB SERIES A      SIZE A4
		DESIGN: Michael DATE 03/18/12	DRAWING NO.: C-U2A026-00      REV. 0

BILL OF MATERIAL :

ITEM	PART NAME	Q'TY/EA	DRAWING NO.	PART NO.	MATERIAL	PLATING
3	SHELL	1	S-ST-001-2-02	S-001-2-14****00	BRASS	PLATING NICKEL
2	CONTACT	4	T-ST-002-1-00	T-002-1-1****00	PHOSPHOR BRONZE	AU OVER Ni
1	HOUSING	1	I-ST-001-2-00	I-001-2-14****00	THERMOPLASTIC	N/A