

REV	DESCRIPTION	ECN. NO.	APPROVED/DATE
△	NEW RELEASE		BRIAN 03/18/12

NOTES:

1. INSULATOR MATERIAL: THERMOPLASTIC
2. CONTACT MATERIAL: PHOSHPOR BRONZE ,T=0.25±0.01mm
3. FRONT SHELL MATERIAL: BRASS,T=0.40±0.01mm
4. BACK SHELL MATERIAL: BRASS,T=0.40±0.01mm
5. INNER SHELL MATERIAL: MANGANESE STEEL,T=0.30±0.01mm
6. CONTACT PLATING :
NICKEL UNDER PLATING OVER ALL
GOLD PLATING AT CONTACT AREA
TIN PLATING AT SOLDERING AREA
7. SHELL PLATING: NICKEL
8. CONTROL DIMENSIONS INDICATED FROM "▼"
9. ELECTRICAL CHARACTER:
9.1 CURRENT RATING: 1.5A AT 250 VAC MIN.
9.2 LOW LEVEL CONTACT RESISTANCE: 30 mΩ MAX;
9.3 INSULATION RESISTANCE: 1000 MΩ MIN
9.4 DIELECTRIC WITHSTANDING VOLTAGE: 500V AC FOR 1 MINUTE

PART NO. CODE:

U2A033 - 4 * * - * *
① ② ③ ④ ⑤ ⑥

① SERIES:

U2A033: USB 2.0 CONN, SERIES A, SINGLE DECK.
RIGHT ANGLE THROUGH HOLE TYPE

② POSITIONS:

4: 4 POSITIONS

③ COLOR OF HOUSING:

K: BLACK

W: WHITE

C: CREAM-COLOR

④ CONTACT PLATING:

1: PLATING Au 1u" MIN

2: PLATING Au 3u" MIN

3: PLATING Au 10u" MIN

4: PLATING Au 15u" MIN

5: PLATING Au 30u" MIN

⑤ ENVIRONMENT:

0: RoHS

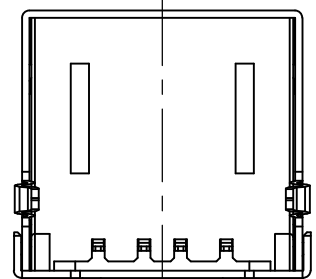
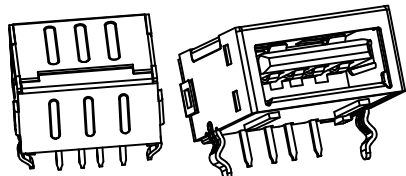
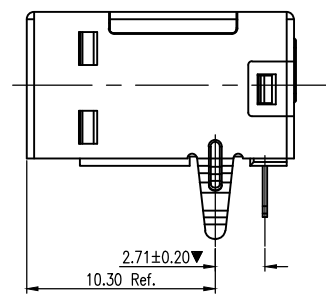
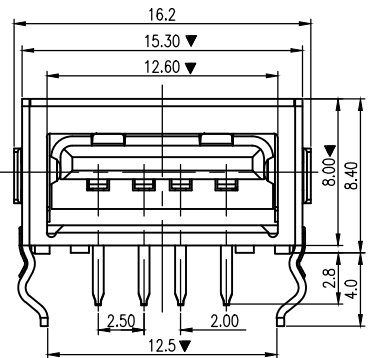
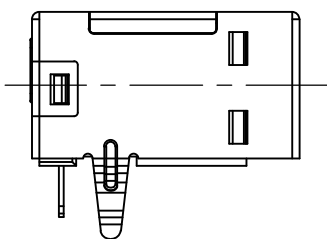
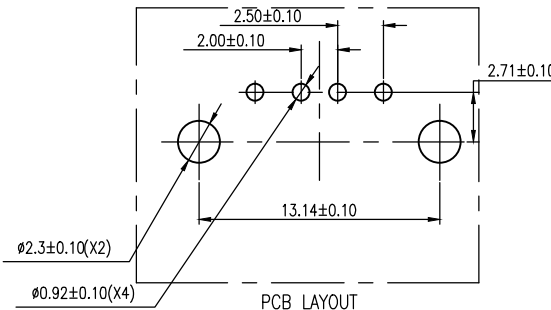
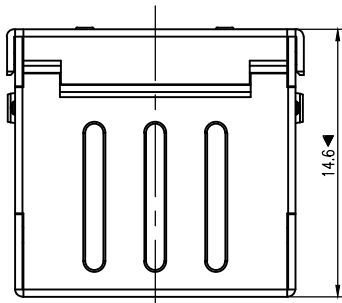
H: HALOGEN FREE

⑥ WAY OF PACKING:

T : TRAY

R : TAPE & REEL

B : WATERPROOF BAG



BILL OF MATERIAL :

ITEM	PART NAME	Q'TY/EA	DRAWING NO.	PART NO.	MATERIAL	PLATING
5	INNER SHELL	1	S-ST-001-3-02	S-001-3-34**0000	MANGANESE STEEL	NICKEL PLATING
4	BACK SHELL	1	S-ST-001-3-01	S-001-3-24**0000	BRASS	NICKEL PLATING
3	FRONT SHELL	1	S-ST-001-3-00/03	S-001-3-14**0000	BRASS	NICKEL PLATING
2	CONTACT	4	T-ST-001-3-00	T-002-1-1****00	PHOSPHOR BRONZE	AU OVER Ni
1	HOUSING	1	I-ST-001-3-00	I-001-3-14****00	THERMOPLASTIC	N/A

GENERAL TOLERANCE	ANGLE TOLERANCE	NAME(INTENDED USE)	CUSTOMER DRAWING	
X. ±0.38	X.* ±2.0°	U2A033-4**-**		
.X ±0.25	.X' ±1.0°	APPROVED:	DATE	TITLE: USB 2.0 CONN, SERIES A, SINGLE DECK. RIGHT ANGLE THROUGH HOLE TYPE
.XX ±0.20	.XX' ±0.5°	Brian	03/18/12	
.XXX ±0.15		CHECKED:	DATE	SERIES: USB SERIES A SIZE A4
MAJOR(QC CHECKED) ▼ = 6 places	SCALE 1 : 1	Tony	03/18/12	
CRITICAL: ▽=0 places	UNIT mm	DESIGN:	DATE	DRAWING NO.: C-U2A033-00 REV. 0
SHEET 1 OF 1		Michael	03/18/12	



PALCONN TECHNOLOGY CO.,LTD.