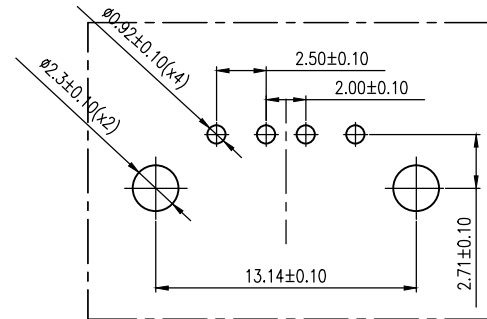
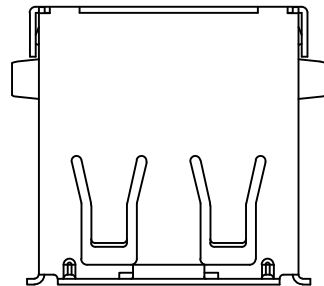
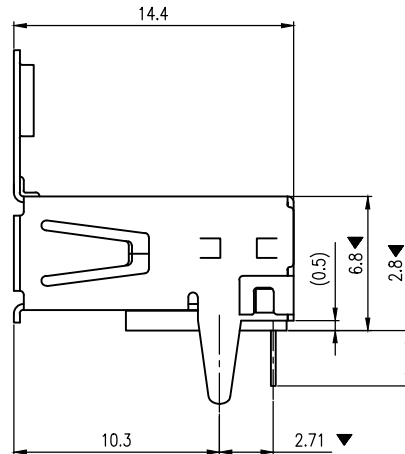
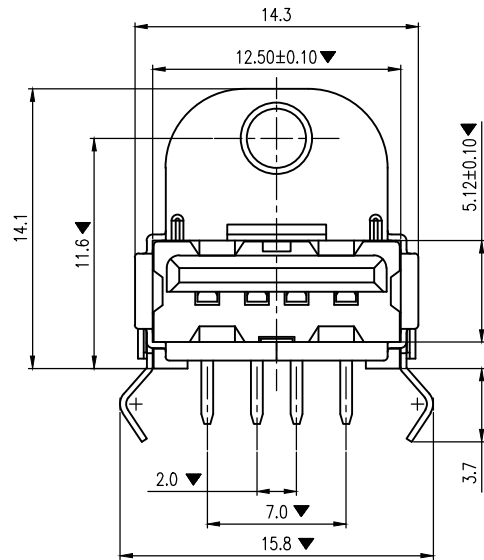


REV	DESCRIPTION	ECN. NO.	APPROVED/DATE
△	NEW RELEASE		BRIAN 03/18/12



PCB LAYOUT (TOLERANCE=±0.05)



NOTES:

- HOUSING MATERIAL: THERMOPLASTIC
- CONTACT MATERIAL: BRASS, T=0.25±0.01mm
- BACK SHELL MATERIAL: BRASS, T=0.30±0.01mm
- CONTACT PLATING :
NICKEL UNDER PLATING OVER ALL
GOLD PLATING AT CONTACT AREA
TIN PLATING AT SOLDERING AREA
- SHELL PLATING: NICKEL
- CONTROL DIMENSIONS INDICATED FROM "▼"
- ELECTRICAL CHARACTER:
7.1 CURRENT RATING: 1.5A AT 250 VAC MIN.
7.2 LOW LEVEL CONTACT RESISTANCE: 30 mΩ MAX;
7.3 INSULATION RESISTANCE: 1000 MΩ MIN
7.4 DIELECTRIC WITHSTANDING VOLTAGE: 500V AC FOR 1 MINUTE

PART NO. CODE:

U2A029 - 4 * * - * *
① ② ③ ④ ⑤ ⑥

① SERIES:

U2A029: USB 2.0 CONN, SERIES A, SINGLE DECK.
RIGHT ANGLE THROUGH HOLE TYPE

② POSITIONS:

4: 4 POSITIONS

③ COLOR OF HOUSING:

K: BLACK

W: WHITE

C: CREAM-COLOR

④ CONTACT PLATING:

1: PLATING Au 1u" MIN

2: PLATING Au 3u" MIN

3: PLATING Au 10u" MIN

4: PLATING Au 15u" MIN

5: PLATING Au 30u" MIN

⑤ ENVIRONMENT:

0: RoHS

H: HALOGEN FREE

⑥ WAY OF PACKING:

T : TRAY

R : TAPE & REEL

B : WATERPROOF BAG

BILL OF MATERIAL :

ITEM	PART NAME	Q'TY/EA	DRAWING NO.	PART NO.	MATERIAL	PLATING
3	OUTER SHELL	1	S-ST-001-2-09	S-001-2-14**0090	BRASS	NICKEL PLATING
2	HOUSING	1	I-ST-001-2-00	I-001-2-14***000	THERMOPLASTIC	AU OVER Ni
1	CONTACT	4	T-ST-002-1-00	T-002-1-18***200	BRASS	N/A

GENERAL TOLERANCE	ANGLE TOLERANCE
X. ±0.38	X.' ±2.0°
.X ±0.25	.X' ±1.0°
.XX ±0.20	.XX' ±0.5°
.XXX ±0.15	

MAJOR(QC CHECKED)	SCALE
▼ = 9 places	1 : 1

NAME(INTENDED USE)	
CUSTOMER DRAWING	
PART NO.	U2A029-4**-**



PALCONN TECHNOLOGY CO.,LTD.

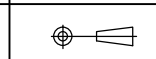
Critical	UNIT
▽=0 places	mm

APPROVED:	DATE
Brian	03/18/12

CHECKED:	DATE
Tony	03/18/12

TITLE:	
USB 2.0 CONN, SERIES A, SINGLE DECK. RIGHT ANGLE THROUGH HOLE TYPE	

SHEET
1 OF 1



DESIGN:	DATE
Michael	03/18/12

SERIES:	SIZE
USB SERIES A	A4
DRAWING NO.:	REV.
C-U2A029-00	0