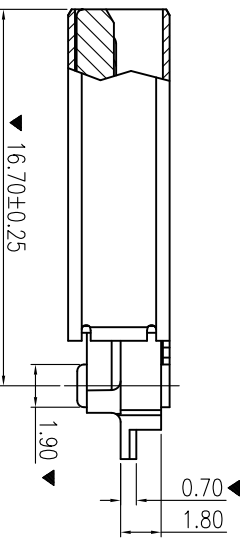
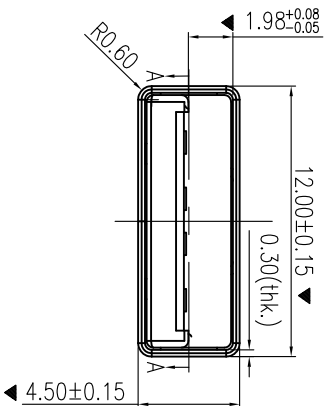
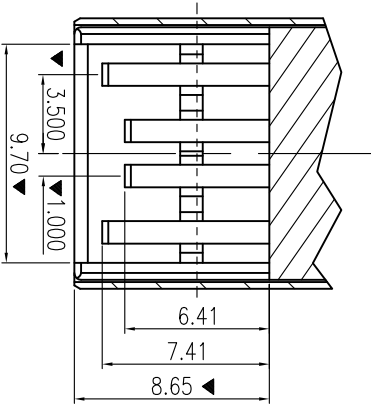
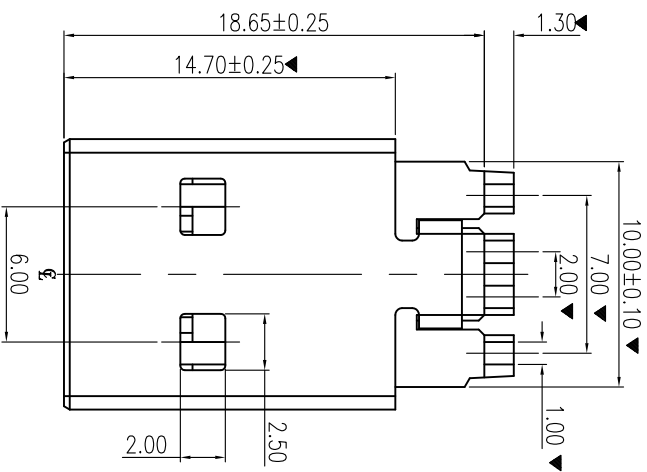


REV	DESCRIPTION	ECON. NO.	APPROVED/DATE
△	NEW RELEASE		

- NOTES:
- INSULATOR MATERIAL : THERMOPLASTIC
  - CONTACT MATERIAL : BRASS , T=0.25±0.01mm
  - SHELL MATERIAL : SPCC,T=0.30±0.01mm
  - CONTACT PLATING : NICKEL UNDERPLATING OVER ALL GOLD PLATING AT CONTACT AREA TIN PLATING AT SOLDERING AREA
  - SHELL PLATING: PLEASE REFER TO THE PART NO. CODE DEFINED
  - CONTROL DIMENSIONS INDICATED FROM "▼"



- PART NO. CODE:  
 C-001-7-4 \* \* \* \* 1.0 \*  
 ① ② ③ ④ ⑤ ⑥ ⑦ ⑧
- ① SERIES : 001-7: USB A PLUG TYPE, SMT & OPEN BOARD  
 ② POSITION : 4 : 4 POSITION  
 ③ COLOR OF HOUSING : K : BLACK  
 W : WHITE  
 C : CREAM-COLOR  
 ④ CONTACT PLATING : 1 : PLATING Au 1μ'  
 2 : PLATING Au 3-5μ'  
 3 : PLATING Au 10μ'  
 4 : PLATING Au 15μ'  
 5 : PLATING Au 30μ'  
 ⑤ SHELL PLATING : 1 : PLATING TIN  
 2 : PLATING NICKEL  
 ⑥ MATERIAL OF HOUSING : 1 : PBT  
 2 : PA-6T  
 3 : LCP  
 ⑦ SEQUENCE NUMBER 10 : SEQUENCE NUMBER  
 ⑧ ENVIRONMENT : 0 : ROHS  
 N : HALOGEN FREE

**BILL OF MATERIAL :**

3	SHELL	1	S-ST-001-7-01	S-001-7-14****00	SPCC	PLATING NICKEL/TIN
2	CONTACT	4	T-ST-001-7-01	T-001-7-14****100	BRASS	AU OVER NI
1	HOUSING	1	I-ST-001-7-00	I-001-7-14****100	THERMOPLASTIC	N/A
ITEM	PART NAME	QTY/EA	DRAWING NO.	PART NO.	MATERIAL	PLATING

GENERAL TOLERANCE	ANGLE TOLERANCE
X.° ±0.38	X.° ±2.0°
.X ±0.25	.X° ±1.0°
.XX ±0.13	.XX° ±0.5°
.XXX ±0.05	

NAME/INTENDED USER	CUSTOMER DRAWING
PART NO.	C-001-7-4****10*
APPROVED:	DATE
CHECKED:	DATE
DESIGN:	DATE

**PALBONN**  
 PALCONN TECHNOLOGY CO.,LTD  
 TITLE: USB A PLUG TYPE, SMT & OPEN BOARD

MAJOR/QC CHECKED) ▼ = 17 places	SCALE 1 : 1
CRITICAL ▼ = 0 places	UNIT mm
SHEET 1 OF 1	CHECKED: Boryan
	DESIGN: Michael
	DATE 07/22/11
	SERIES: USB SERIES
	DRAWING NO.: C-ST-001-7-01
	SIZE A4
	REV. 0