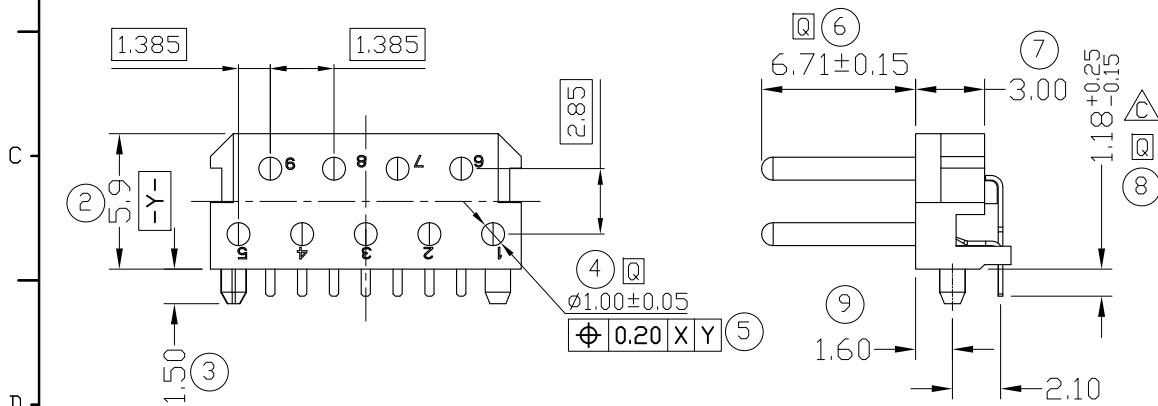
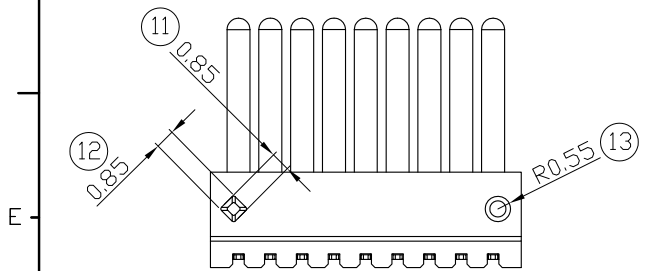


- 注明：
1. 所有尺寸都以公制MM為單位。
  2. 產品表面必須乾淨,無油污,化學品,化學劑,清洗劑其它雜質等。
  3. 產品要符合RoHS指令 2011/65/EU。
  - △ 此尾蓋(線夾)出貨時,與主體分開包裝。



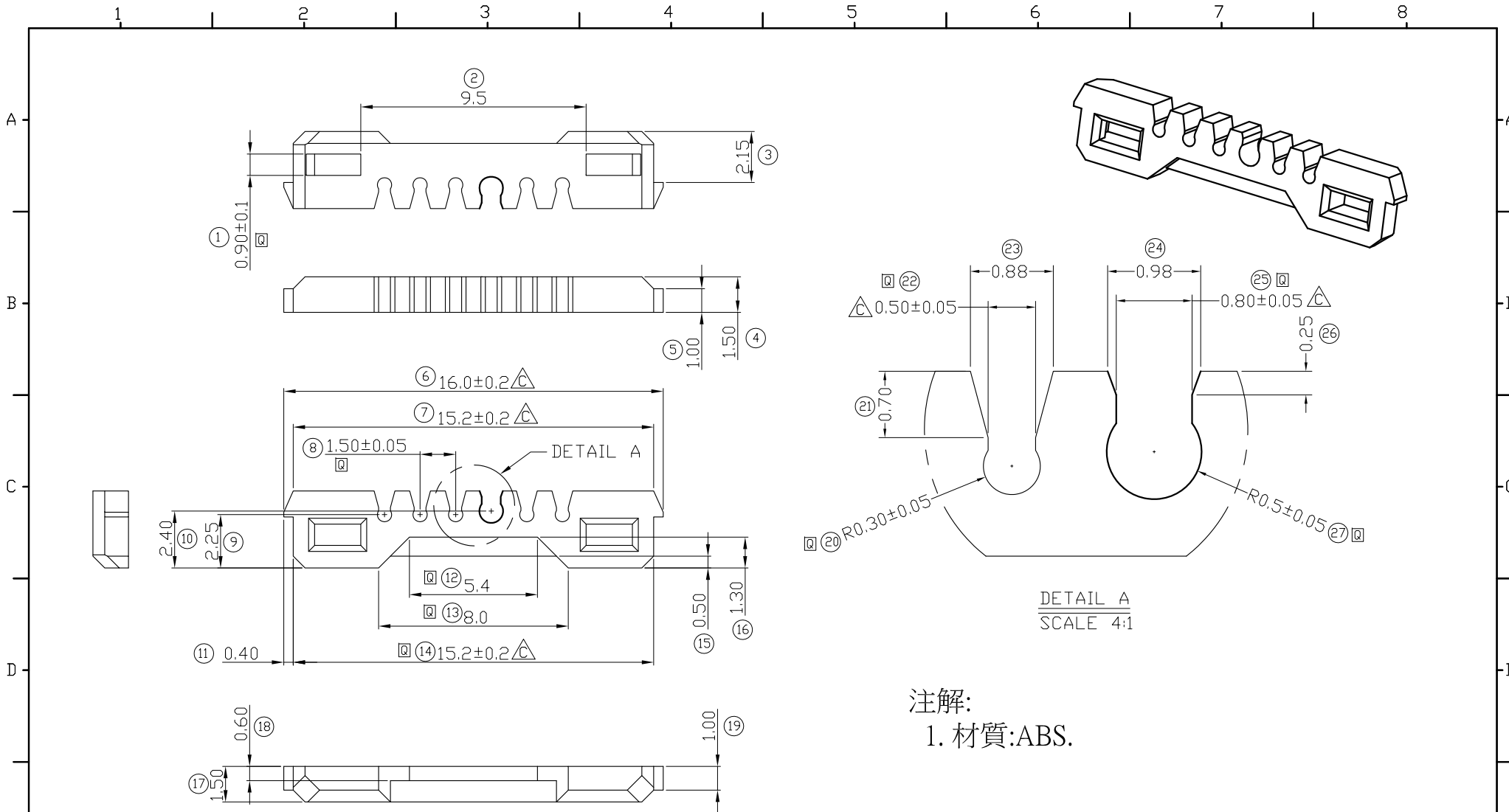
料號說明  
 Z-F041010X00900  
 0: 鍍金3u".  
 1: 鍍金2u".



1PCS	1PCS	D10Z0000A69	BLACK COVER	ABS	4
4PCS	NA	D16Z1010475	LONG CONTACT	BRASS	3
NA	4PCS	D16Z1000475			
5PCS	NA	D16Z0010475	SHORT CONTACT	BRASS	2
NA	5PCS	D16Z0000475			
1PCS	1PCS	D10Z0000A70	HSG	LCP	1
Z-F041010100900	Z-F041010000900	PART NO	DESCRIPTION	MATERIAL	ITEM

UNITS <input checked="" type="checkbox"/> mm <input type="checkbox"/> INCH		NAME: DB 9 PIN CONN.	
GENERAL TOLERANCES: (UNLESS SPECIFIED)		PART NO: Z-F041010X00900	
		TITLE: CUSTOMER DWG.	
		DWG NO: 010-0000-C96	
		A	
		SCALE: SHEET: REV.:	
		1:1 1/2 A	

A	新版發行	楊波 2017.06.24
PAL REV.	DESCRIPTION	NEW DESIGNER



注解:  
1. 材質:ABS.

AS SHOW D10Z0000A69

UNITS ■mm □INCH		NAME: DB 9 PIN 線夾	
GENERAL TOLERANCES: (UNLESS SPECIFIED)		PART NO: D10Z0000A69	
		TITLE: CUSTOMER DWG.	
		DWG NO: 010-0000-C96	
		C	
		SCALE: SHEET: REV.:	
		1:1 2/2 A	

A	新版發行	杨波 2017.06.24
PAL REV.	DESCRIPTION	NEW DESIGNER