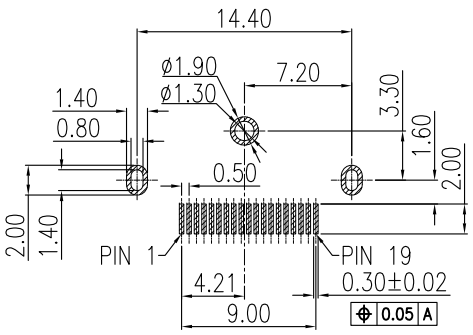
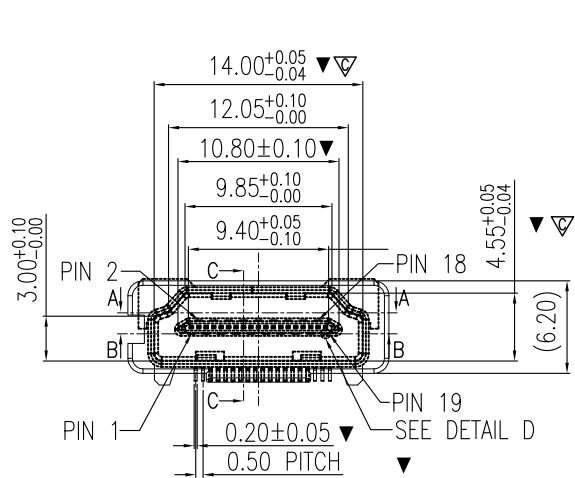


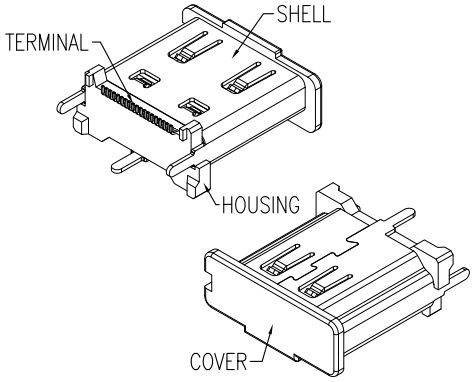
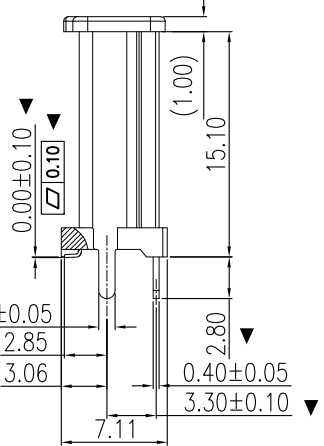
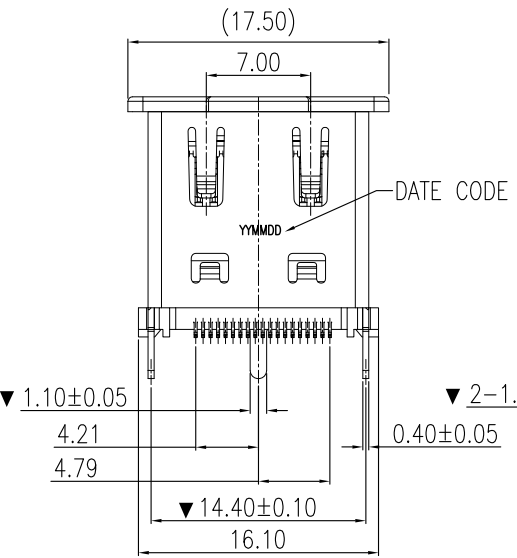
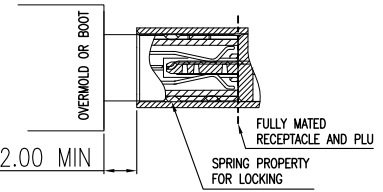
ABIDE BY HALOGEN FREE, MEETS PT ENVIRONMENTAL Q3-7584

REV.	DESCRIPTION	ECN NO.	NEW DESIGNER
A	NEW RELEASE		杨波 2017.10.28
B	修改载带改善晃动及整箱包装数量		杨波 2018.07.02

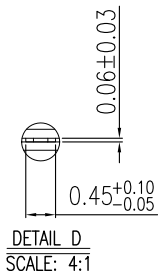
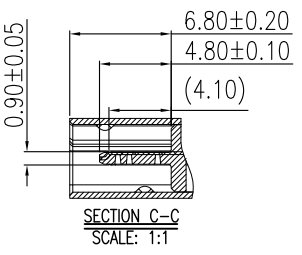
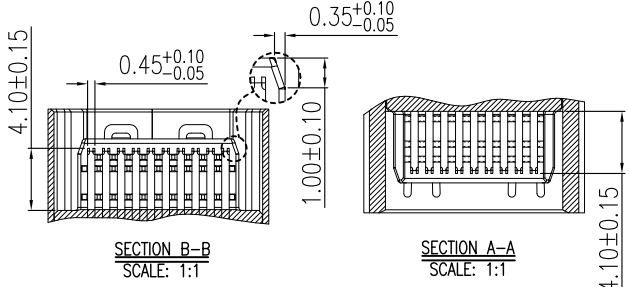
- NOTES:
- MATERIALS:
SHELL: STAINLESS STEEL SUS201 T=0.40mm;
MATERIAL: LCP E130i WITH 30% G/F UL94-V0 COLOR: BLACK;
CONTACT: COPPER ALLOY C2680 T=0.20mm;
 - PLATING:
CONTACT: 50u" Min. NICKEL UNDERPLATING OVERALL;
PLATED GOLD ON CONTACT AREA,
OR REFERENCE PART NO. CODE;
PLATED GOLD FLACH. ON SOLDER AREA;
SHELL: PLATED NICKEL 50u" Min. OVERALL;;
 - DIMENSIONAL TOLERANCE:
NOT SPECIFIED TOLERANCE, COMPLIED TO THE GENERAL TOLERANCE;
CONTROL DIMENSIONS INDICATED FORM "▼", MUST BE INSPECTED BY QC;
 - ELECTRICAL CHARACTER:
LOW LEVEL CONTACT RESISTANCE: 30mΩ Max.;
INSULATION RESISTANCE: 100MΩ Min.;
DIELECTRIC WITHSTANDING VOLTAGE: UNMATED CONNECTORS APPLY 500V AC;
MATED CONNECTOR APPLY 300V AC
 - MECHANICAL CHARACTER:
INSERTION FORCE: 4.5KGF Max.;
EXTRACTION FORCE: 1~4KGF;
DURABILITY: 10000 CYCLES;
 - SALT SPRAY TEST: 48 HOURS MIN.;
 - IR RRFLOW: 260 DEGREE C FOR 5 SECOND



RECOMMENDED P.C.B. PATTERN LAYOUT (T=1.6±0.15)



- PART NO. CODE:
HDM076 - K * * - * *
- ① SERIES:
HDM076: HDMI CONNECTOR, SERIES A PLUG SOLDER TYPE
- ② POSITIONS:
K: 19 POSITIONS.
- ③ COLOR OF HOUSING:
K: BLACK
W: WHITE
C: CREAM-COLOR
- ④ CONTACT PLATED:
1: PLATED Au 1u" MIN
2: PLATED Au 3u" MIN
3: PLATED Au 10u" MIN
4: PLATED Au 15u" MIN
5: PLATED Au 30u" MIN
- ⑤ ENVIRONMENT:
0: ROHS
H: HALOGEN FREE
- ⑥ WAY OF PACKING:
T: TRAY
R: TAPE & REEL
B: WATERPROOF BAG
U: TUBE



GENERAL TOLERANCE X. ±0.50 .X ±0.30 .XX ±0.20 .XXX ±0.15	ANGLE TOLERANCE ±3.0°	NAME (INTENDED USE): MANUFACTURE DRAWING	 PALCONN TECHNOLOGY CO., LTD. TITLE: HDMI 19P A/F H=15.1mm SMT TYPE		
		PART NO. CODE: HDM076-K**-**			
MAJOR (QC CHECKED) ▼= 12 places	SCALE: 1:1	APPROVED:			
CRITICAL: ▼= 2 places	UNIT: mm	CHECKED:	SERIES:	HDMI SERIES	SIZE: A4
SHEET 1 OF 2	DESIGN:		DRAWING NO.:	C-HDM076-00	REV.: B

ABIDE BY HALOGEN FREE, MEETS PT ENVIRONMENTAL Q3-7584

REV.	DESCRIPTION	ECN NO.	NEW DESIGNER
A	NEW RELEASE		杨波 2017.10.28
B	修改载带改善晃动及整箱包装数量		杨波 2018.07.02

A

B

C

D

E

F

A

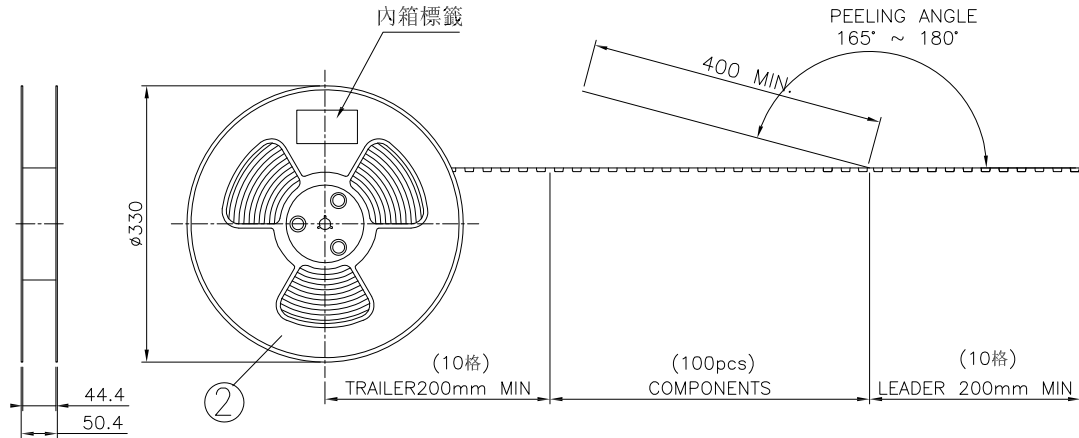
B

C

D

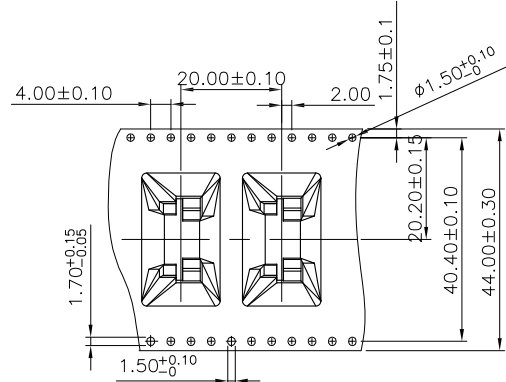
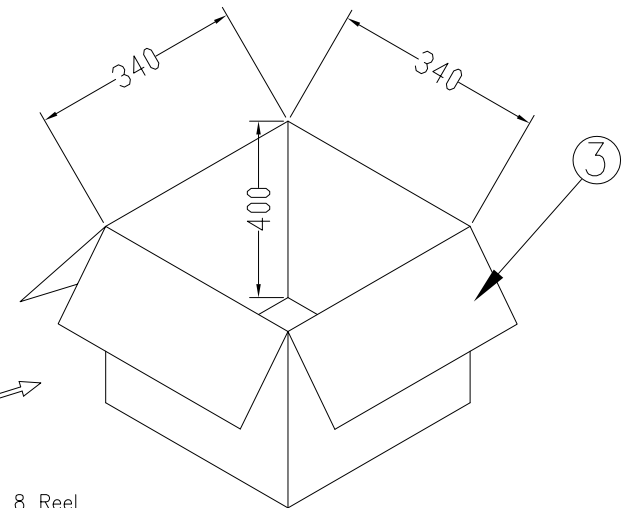
E

F

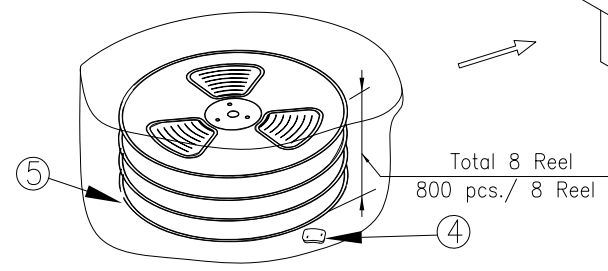
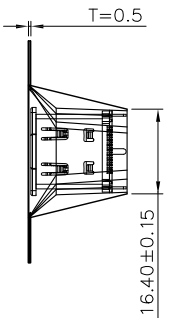


GATHER MATERIAL DIRECTION
收料方向

INPUT MATERIAL DIRECTION
客户放料方向



卷带收料方向: 产品焊脚朝左, 卷带定位圆孔在上。 ①



5	Bag	PE	1
4	desiccant	/	1
3	Outer Carton	K=K	1
2	Reel	100	8
1	Product	/	800
ITEM	PART NAME	MATERIAL	QUANTITY(pcs)

NOTES:

1.Packing Quantity and Style:

1) Quantity: 100 pcs./Reel
: 800 pcs./ bag
: 800 pcs./Outer Carton

2)Packing Style: Reel Packing

GENERAL TOLERANCE		ANGLE TOLERANCE		NAME (INTENDED USE):		PALCONN	
X.	±5	X:	±	MANUFACTURE DRAWING		PALCONN TECHNOLOGY CO.,LTD.	
				PART NO. CODE:		TITLE:	
				HDM076-K**-**		HDMI 19P A/F H=15.1mm SMT TYPE	
MAJOR (QC CHECKED)		SCALE: 1:1	APPROVED:				
▽= 0 places							
CRITICAL:		UNIT: mm	CHECKED:		SERIES:	HDMI SERIES	SIZE: A4
▽= 0 places							
SHEET 2 OF 2		DESIGN:			DRAWING NO.:	C-HDM076-00	REV.: B