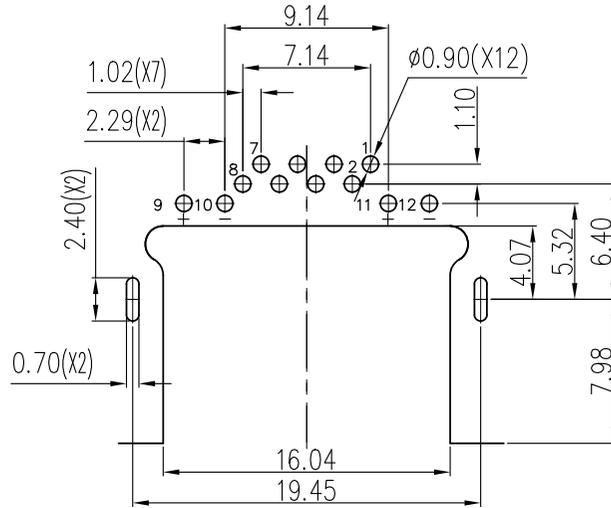
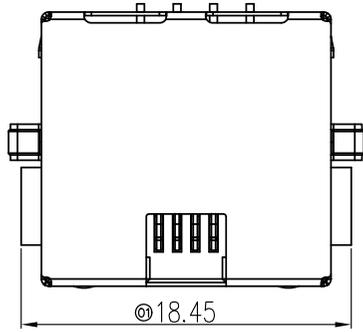


ABIDE BY RoHS, MEETS PT ENVIRONMENTAL Q3-7584

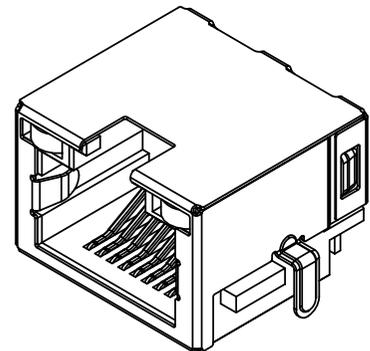
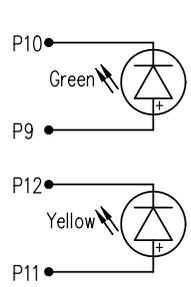
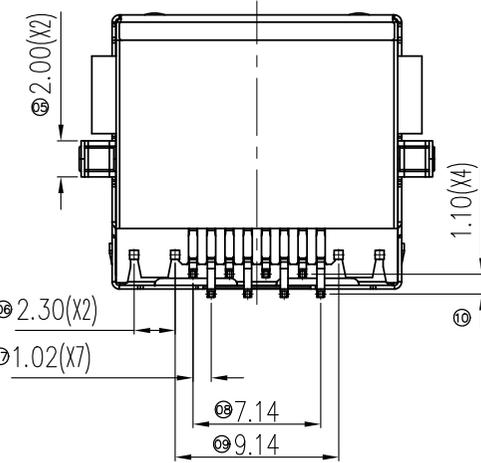
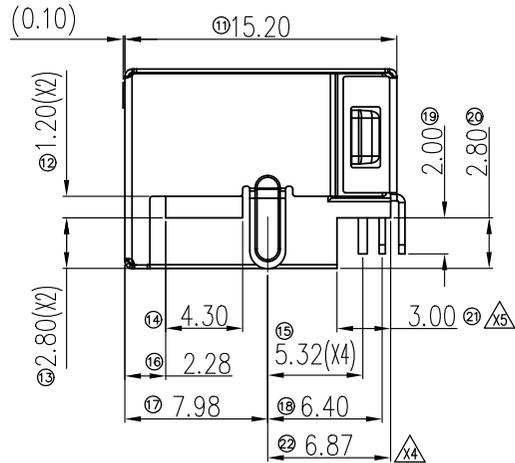
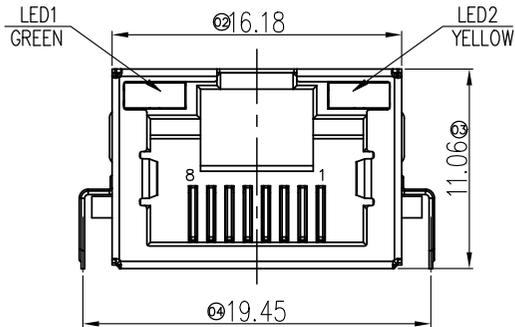
REV.	DESCRIPTION	ECN NO.	NEW DESIGNER
X1	NEW RELEASE		Liuli 2017.08.19
X3	MODIFY LED DRAWING		Liuli 2017.09.11
X4	INCREASE SIZE		Liuli 2017.09.19
X5	INCREASE SIZE		Liuli 2017.11.06

A  
B  
C  
D  
E  
F

A  
B  
C  
D  
E  
F



RECOMMENDED PCB LAYOUT  
(T=1.2MM, TOL: ±0.05)



- NOTES:
- MATERIALS:  
 △<sub>XS</sub> PLASTIC MATERIA: PA66orPA46/66, UL94 V-0;  
 CONTACT: PHOSPHOR BRONZE;  
 SHELL: BRONZE
  - PLATING:  
 CONTACT: NICKEL UNDERPLATING OVERALL; PLATED GOLD ON CONTACT AREA, OR REFERENCE PART NO. CODE: PLATED TIN ON SOLDER AREA;
  - DIMENSIONAL TOLERANCE:  
 NOT SPECIFIED TOLERANCE, COMPLIED TO THE GENERAL TOLERANCE;  
 CONTROL DIMENSIONS INDICATED FORM "▼", MUST BE INSPECTED BY QC;
  - ELECTRICAL CHARACTER:  
 LOW LEVEL CONTACT RESISTANCE: 40mΩ Max. INITIAL;  
 INSULATION RESISTANCE: 500MΩ Min.;  
 DIELECTRIC WITHSTANDING VOLTAGE: 1000 VAC FOR 1 MINUTE;  
 CURRENT RATING: 1.0A AT 150 VAC MAX.;
  - MECHANICAL CHARACTER:  
 INSERTION/EXTRACTION FORCE: 22.24N(2.27kgf)Max.;  
 DURABILITY: 750 CYCLES;
  - SALT SPRAY TEST: 24 HOURS MIN.;
  - IR REFLOW CONDITION PEAK TEMPERATURE: 260°C-10S, (THIS ITEM APPLY TO HIGH-TEMPERATURE MATERIAL, E.G. LCP, PA6T, PA9T, PA10T, ETC.);
  - OPERATING TEMPERATURE: -25°C~+80°C
  - GREEN LED : 570nm, Vf@20mA=2.2V typ, 2.6V max
  - YELLOW LED : 588nm, Vf@20mA=2.1V typ, 2.45V max
  - CONTACT NORMAL FORCE: 100gf Min.

PART NO. CODE:  
 NMJ014 - 8 \* \* - \* \*  
 ① ② ③ ④ ⑤ ⑥

- ① SERIES:  
 NMJ014: RJ45 8P8C (L=15.20) DIP 90° TYPE WITH LED
- ② POSITIONS:  
 8: 8 POSITIONS
- ③ COLOR OF HOUSING:  
 K: BLACK  
 W: WHITE  
 A: GRAY
- ④ CONTACT PLATED:  
 2: PLATED Au 3u" MIN  
 3: PLATED Au 10u" MIN  
 4: PLATED Au 15u" MIN  
 5: PLATED Au 30u" MIN  
 6: PLATED Au 50u" MIN
- ⑤ ENVIRONMENT:  
 0: RoHS  
 H: HALOGEN FREE
- ⑥ WAY OF PACKING:  
 T: TRAY  
 R: TAPE & REEL  
 B: WATERPROOF BAG  
 U: TUBE

GENERAL TOLERANCE X. ±0.38 .X ±0.25 .XX ±0.20 .XXX ±0.15	ANGLE TOLERANCE X.* ±3.0° .X.* ±2.0° .XX.* ±1.0°	NAME (INTENDED USE): CUSTOMER DRAWING	
		PART NO. CODE: NMJ014-8**-**	
MAJOR (QC CHECKED) ▼ = 0 places	SCALE: 1:1	APPROVED:	TITLE: RJ45 8P8C (L=15.20) DIP 90° TYPE WITH LED
CRITICAL: ▼ = 0 places	UNIT: mm	CHECKED:	SERIES: RJ45 SERIES
SHEET 1 OF 1	DESIGN:		SIZE: A4
			DRAWING NO.: C-NMJ014-00
			REV.: X5

1 2 3 4 5 6 7 8