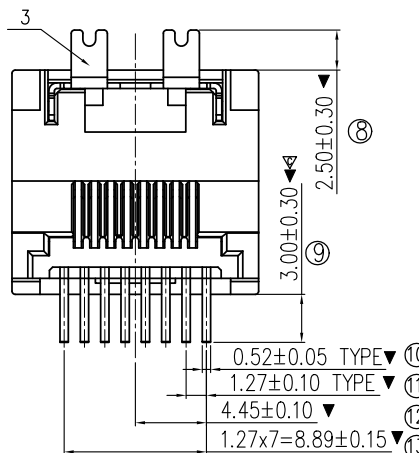
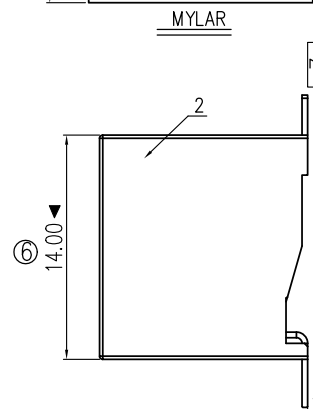
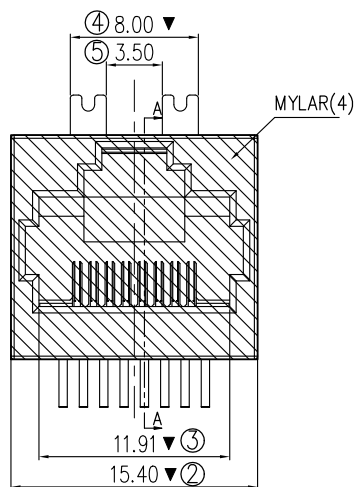
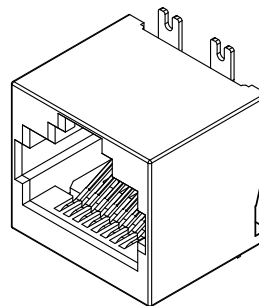
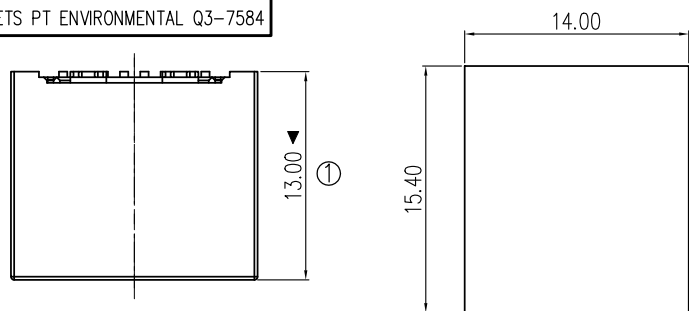


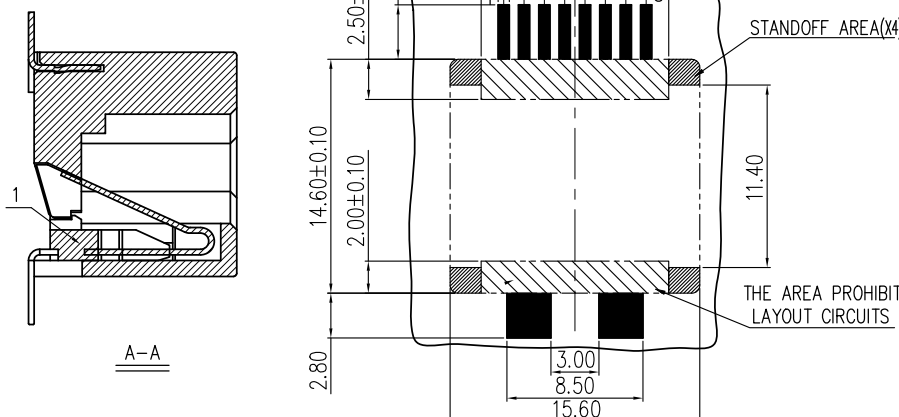
ABIDE BY RoHS,MEETS PT ENVIRONMENTAL Q3-7584

| REV. | DESCRIPTION | ECN NO. | NEW DESIGNER |
|------|--------------------------|------------|----------------|
| A | NEW RELEASE | | DZX 2015.03.09 |
| 0 | MODIFICATION CHART ERROR | PN15070201 | TWH 2015.07.01 |



NOTES:
 1.MATERIALS:
 HOUSING: THERMOPLASTIC BLACK UL94-V0;
 HOLD DOWN: STAINLESS STEEL ;
 MOLDING: PHOSPHOR BRONZE AND THERMOPLASTIC BLACK;
 2.PLATING:
 CONTACT: NICKEL UNDERPLATING OVERALL;
 PLATED GOLD ON CONTACT AREA,
 OR REFERENCE PART NO. CODE;
 PLATED TIN ON SOLDER AREA;
 3.DIMENSIONAL TOLERANCE:
 NOT SPECIFIED TOLERANCE, COMPLIED TO THE GENERAL TOLERANCE;
 CONTROL DIMENSIONS INDICATED FORM "▼", MUST BE INSPECTED BY QC;
 4.ELECTRICAL CHARACTER:
 LOW LEVEL CONTACT RESISTANCE: 50mΩ Max. INITIAL;
 INSULATION RESISTANCE: 500MΩ Min.;
 DIELECTRIC WITHSTANDING VOLTAGE: 1000 VAC FOR 1 MINUTE;
 CURRENT RATING: 1.5A AT 150 VAC MAX.;
 5.MECHANICAL CHARACTER:
 INSERTION FORCE: 22.24N(2.27kgf)Max.;
 EXTRACTION FORCE: 75.66N(7.72kgf)Min.;
 DURABILITY: 750 CYCLES;
 6.SALT SPRAY TEST: 24 HOURS MIN.;
 7.IR REFLOW CONDITION PEAK TEMPERATURE: 260°C-10S,(THIS ITEM APPLY TO HIGH-TEMPERATURE MATERIAL, EG. LCP, PA6T, PA9T, PA10T, ETC.);
 8.OPERATING TEMPERATURE: -40°C TO +85°C
 PART NO. CODE:
 NMJ024 - 8 * * - * *
 ① ② ③ ④ ⑤ ⑥

① SERIES:
 NMJ024: RJ45 8P8C VERTICAL SMT TYPE
 ② POSITIONS:
 8: 8 POSITIONS
 ③ COLOR OF HOUSING: ⑤ ENVIRONMENT:
 K: BLACK 0: RoHS
 H: HALOGEN FREE
 ④ CONTACT PLATED: H: HALOGEN FREE
 1: PLATED Au 1u" MIN T: TRAY
 2: PLATED Au 3u" MIN R: TAPE & REEL
 3: PLATED Au 10u" MIN B: WATERPROOF BAG
 4: PLATED Au 15u" MIN U: TUBE
 5: PLATED Au 30u" MIN
 6: PLATED Au 50u" MIN



RECOMMENDED PC BOARD LAYOUT T=1.60mm±0.05mm

BILL OF MATERIAL:

| ITEM | PART NAME | QTY | DRAWING NO. | PART NO. | MATERIAL | REMARK |
|------|-----------|-----|---------------|------------------|-----------------|-------------|
| 4 | MYLAR | 1 | P-ST-NMJ-7-01 | P-L-15401400000 | N/A | N/A |
| 3 | HOLD DOWN | 1 | S-ST-NMJ-8-00 | S-NMJ-8-14**000* | STAINLESS STEEL | PLATED TIN |
| 2 | HOUSING | 1 | I-ST-NMJ-7-01 | I-NMJ-7-18**001* | THERMOPLASTIC | N/A |
| 1 | MOLDING | 1 | B-ST-NMJ-7-01 | B-NMJ-7-8***001* | THERMOPLASTIC | PLATED GOLD |

| GENERAL TOLERANCE | | ANGLE TOLERANCE | | NAME (INTENDED USE): | | PALCONN |
|-------------------------------------|-------|-----------------|-----------|----------------------|--------------|-------------|
| X. | ±0.38 | X° | ±3.0° | CUSTOMER DRAWING | | |
| .X | ±0.25 | .X° | ±2.0° | PART NO. CODE: | | |
| .XX | ±0.20 | .XX° | ±1.0° | NMJ024-8**-** | | |
| .XXX | ±0.15 | | | | | |
| MAJOR (QC CHECKED) ▼ = 12 places | | SCALE: 1:1 | APPROVED: | | | |
| CRITICAL: ▼ = 1 places | | UNIT: mm | CHECKED: | | SERIES: | RJ45 SERIES |
| SHEET 1 OF 1 | | DESIGN: | | | DRAWING NO.: | C-NMJ024-07 |
| | | | | | REV.: | 0 |