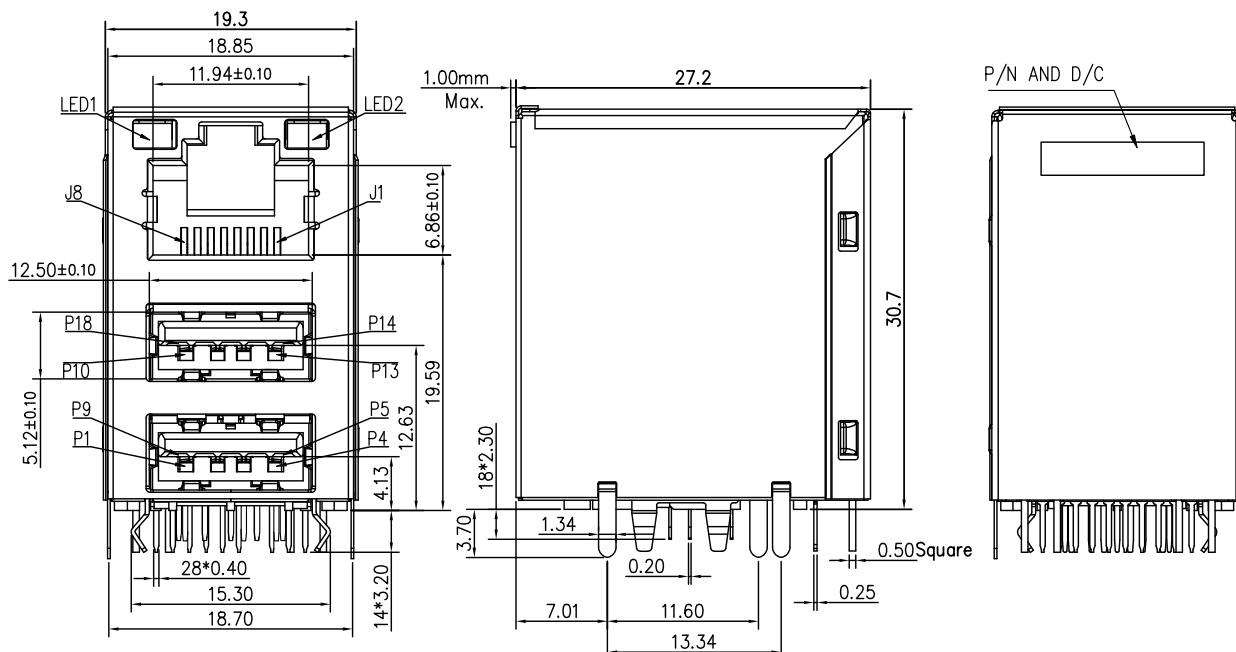


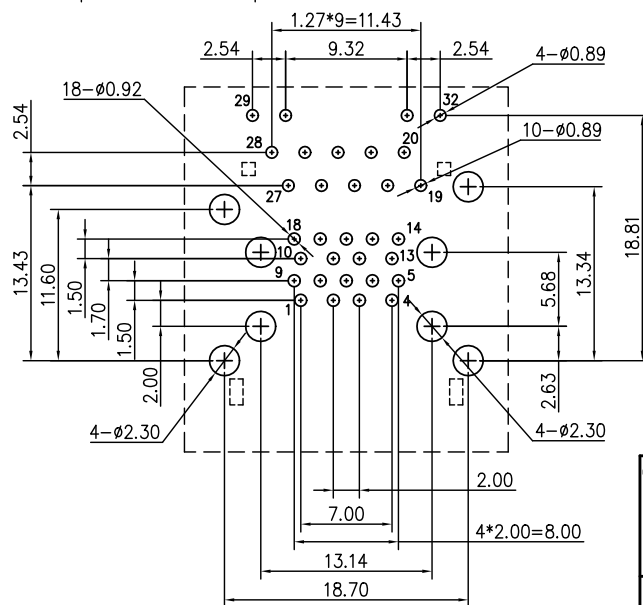
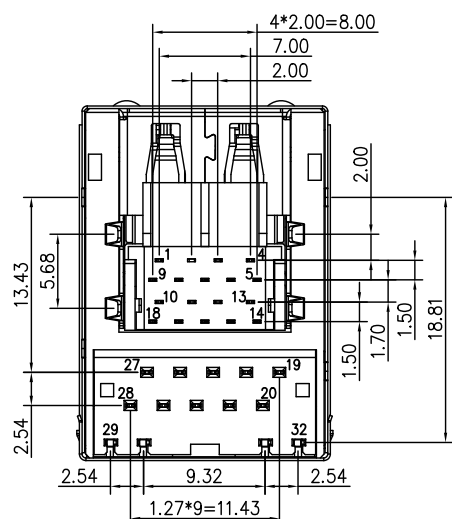
ABIDE BY RoHS,MEETS PT ENVIRONMENTAL Q3-7584

REV.	DESCRIPTION	ECN NO.	NEW DESIGNER
X1	NEW RELEASE		Liuli 2017.07.24



- NOTES:
- MATERIALS:
HOUSING: LCP,UL94 V-0
CONTACT: PHOSPHOR BRONZE C5191R-H, T=0.30±0.01mm
BACK COVER: LCP,UL94 V-0
 - PLATING:
CONTACT:NICKEL UNDERPLATING OVERALL;
PLATED GOLD ON CONTACT AREA,
OR REFERENCE PART NO. CODE;
PLATED TIN ON SOLDER AREA;
 - DIMENSIONAL TOLERANCE:
NOT SPECIFIED TOLERANCE,COMPLIED TO THE GENERAL TOLERANCE;
CONTROL DIMENSIONS INDICATED FORM "▼",MUST BE INSPECTED BY QC;
 - ELECTRICAL CHARACTER:
LOW LEVEL CONTACT RESISTANCE:50mΩ Max. INITIAL;
INSULATION RESISTANCE:500MΩ Min.;
DIELECTRIC WITHSTANDING VOLTAGE:1000 VAC FOR 1 MINUTE;
CURRENT RATING:1.5A AT 150 VAC MAX.;
 - MECHANICAL CHARACTER:
INSERTION FORCE:22.24N(2.27kgf)Max.;;
EXTRACTION FORCE:75.66N(7.72kgf)Min.;;
DURABILITY:750 CYCLES;
 - SALT SPRAY TEST:24 HOURS MIN.;
 - IR REFLOW CONDITION PEAK TEMPERATURE:260°C-10S,(THIS ITEM APPLY TO HIGH-TEMPERATURE MATERIAL,EG. LCP,PA6T,PA9T,PA10T,ETC.);
 - OPERATING TEMPERATURE:-25°C~+70°C

- PART NO. CODE:
NMJ033 - A * * - * *
- ① SERIES:
NMJ033:RJ45(1G)+ STACK USB 3.0 W/O TVS IC
- ② POSITIONS:
A:10 POSITIONS
- ③ COLOR OF HOUSING:
K:BLACK
W:WHITE
A:GRAY
- ④ CONTACT PLATED:
1:PLATED Au 1u" MIN
2:PLATED Au 3u" MIN
3:PLATED Au 10u" MIN
4:PLATED Au 15u" MIN
5:PLATED Au 30u" MIN
6:PLATED Au 50u" MIN
L:PLATED Au 5u" MIN
- ⑤ ENVIRONMENT:
0:RoHS
H:HALOGEN FREE
- ⑥ WAY OF PACKING:
T:TRAY
R:TAPE & REEL
B:WATERPROOF BAG
U:TUBE



RECOMMENDED PCB LAYOUT(T=1.60mm)(TOP VIEW)
ALL DIMENSION TOLERANCE ARE
±0.05 UNLESS OTHERWISE SPECIFIED

GENERAL TOLERANCE	ANGLE TOLERANCE	NAME(INTENDED USE):	PALCONN		
X. ±0.38	X." ±3.0°	CUSTOMER DRAWING	PALCONN TECHNOLOGY CO.,LTD.		
.X ±0.30	.X' ±2.0°	PART NO. CODE:	TITLE:		
.XX ±0.25	.XX' ±1.0°	NMJ033-A**-**	RJ45(1G)+ STACK USB 3.0 W/O TVS IC		
.XXX ±0.15					
MAJOR(QC CHECKED) ▼= 0 places	SCALE: 1:1	APPROVED:			
CRITICAL: 0	UNIT: mm	CHECKED:	SERIES:	RJ45 SERIES	SIZE: A4
SHEET 1 OF 1	DESIGN:		DRAWING NO.:	E-NMJ033-01	REV.: X1