

ABIDE BY RoHS,MEETS PT ENVIRONMENTAL Q3-7584

REV.	DESCRIPTION	ECN NO.	NEW DESIGNER
A	NEW RELEASE		DHM 2015.10.07
AX1	ADD COLOR OF HOUSING		DHM 2016.03.03
AX2	CHANGE CURRENT RATING		DHM 2016.03.04

NOTES:

1.MATERIALS:

SHELL: STAINLESS STEEL T=0.30mm  
 MATERIAL: THERMOPLASTIC. UL94-V0;  
 HOUSING : THERMOPLASTIC  
 4P TERMINAL : POSPHOR BRONZE, T=0.25mm  
 5P TERMINAL : BRASS, T=0.25mm  
 BACK COVER : THERMOPLASTIC

2.PLATING:

CONTACT: NICKEL UNDERPLATING OVERALL;  
 NICKEL UNDERPLATING OVER ALL  
 GOLD PLATING AT CONTACT AREA  
 GOLD FLASH AT SOLDERING AREA  
 SHELL: PLEASE REFER TO THE PART NO. CODE DEFINED;

3.DIMENSIONAL TOLERANCE:

NOT SPECIFIED TOLERANCE, COMPLIED TO THE GENERAL TOLERANCE;  
 CONTROL DIMENSIONS INDICATED FORM "▼", MUST BE INSPECTED BY QC;

4.ELECTRICAL CHARACTER:

INSULATION RESISTANCE : 100Mohm MIN.  
 CONTACT RESISTANCE : 30mohm MAX.  
 INSULATION RESISTANCE: 100MΩ Min.;  
 DIELECTRIC WITHSTANDING VOLTAGE: 100 VAC;  
 CURRENT RATING: 5A AT 250 VAC MIN.;

5.MECHANICAL CHARACTER:

INSERTION FORCE: 35N(3.6kgf)Max.;  
 EXTRACTION FORCE: INITIAL: 10N(1.02kgf)Min.; AFTER: 8N(0.81kgf)Min  
 DURABILITY: 6000 CYCLES;

6.SALT SPRAY TEST: 48 HOURS MIN.;

7.IR REFLOW CONDITION PEAK TEMPERATURE: 260°C-10S, (THIS ITEM APPLY TO HIGH-TEMPERATURE MATERIAL, EG. LCP, PA6T, PA9T, PA10T, ETC.);

PART NO. CODE:

U3A109 - 9 \* \* - \* \*  
 ① ② ③ ④ ⑤ ⑥

① SERIES:

U3A109: USB 3.0 RECEPTACLE, SERIES A,  
 9 POSITIONS R/A DIP TYPE

② POSITIONS:

9: 9 POSITIONS

③ COLOR OF HOUSING:

K: BLACK  
 W: WHITE  
 C: CREAM-COLORED  
 G: GREEN



④ CONTACT PLATED:

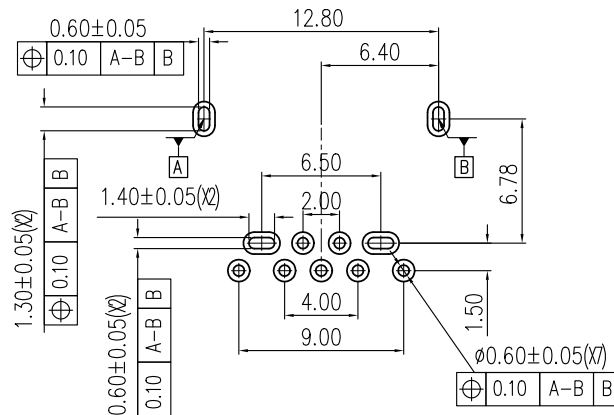
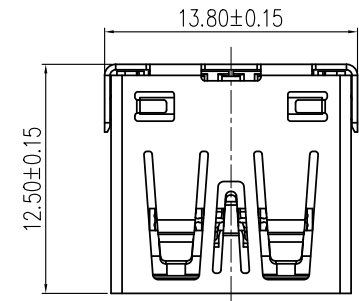
1: PLATED Au 1u" MIN  
 2: PLATED Au 3u" MIN  
 3: PLATED Au 10u" MIN  
 4: PLATED Au 15u" MIN  
 5: PLATED Au 30u" MIN

⑤ ENVIRONMENT:

0: RoHS  
 H: HALOGEN FREE

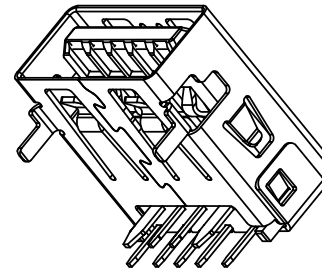
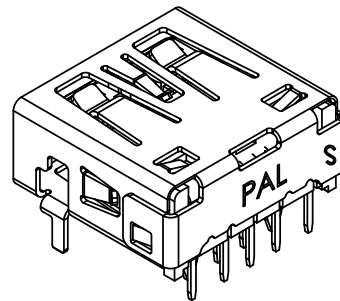
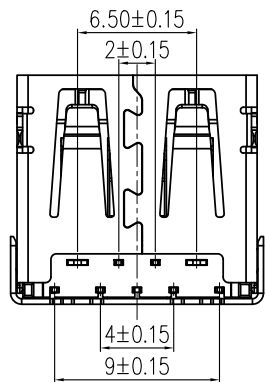
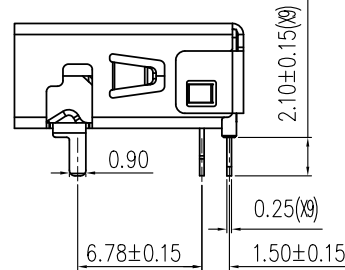
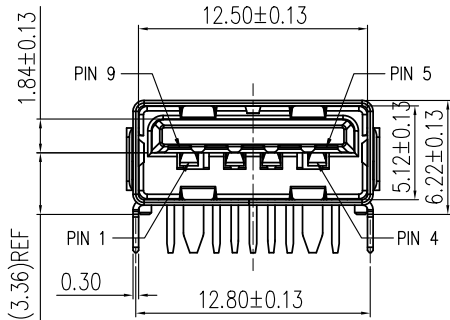
⑥ WAY OF PACKING:

T: TRAY  
 R: TAPE & REEL  
 B: WATERPROOF BAG  
 U: TUBE



REFERENCE PCB LAYOUT

THICKNESS: 1.20MM



BILL OF MATERIAL:

ITEM	PART NAME	QTY	DRAWING NO.	PART NO.	MATERIAL	REMARK
5	INSULATOR	1	B-ST-001-S-00	B-001-S-19**01*	C2680-H+PBT	N/A
4	OUTER SHELL	1	S-ST-001-S-01	S-001-S-19**004*	C2680-H	NICKEL/CLEAN
3	BACK COVER	1	I-ST-001-S-01	I-001-S-29**002*	PBT	UL94 V-0
2	CONTACT	4	T-ST-001-S-01	T-001-S-29**001*	C5191-H	AU OVER NI.
1	CONTACT	5	T-ST-001-S-00	T-001-S-19**001*	C2680-H	AU OVER NI.

GENERAL TOLERANCE	ANGLE TOLERANCE	NAME (INTENDED USE):	PALCONN
X. ±0.38 .X ±0.25 .XX ±0.20 .XXX ±0.15	X.' ±3.0° .X' ±2.0° .XX' ±1.0°	CUSTOMER DRAWING	
MAJOR (QC CHECKED) ▼ = 11 places	SCALE: 1:1	APPROVED:	PALCONN TECHNOLOGY CO., LTD.
CRITICAL: ▼ = 0 places	UNIT: mm	CHECKED:	TITLE: USB 3.0 RECEPTACLE, SERIES A, 9 POSITIONS R/A DIP TYPE
SHEET 1 OF 1	DESIGN:		SERIES: USB 3.0 SERIES SIZE: A4
			DRAWING NO.: C-U3A109-00 REV.: AX2