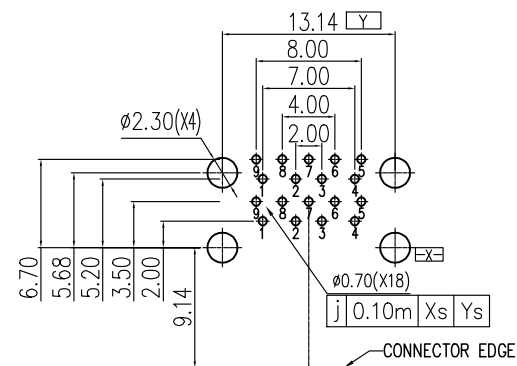
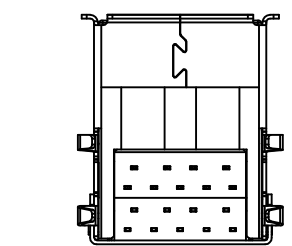
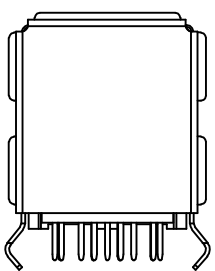
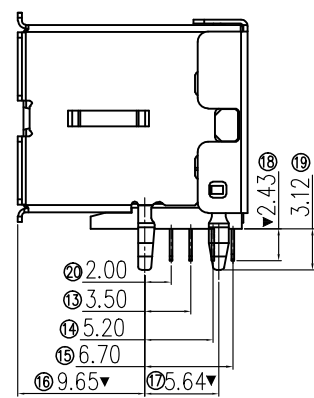
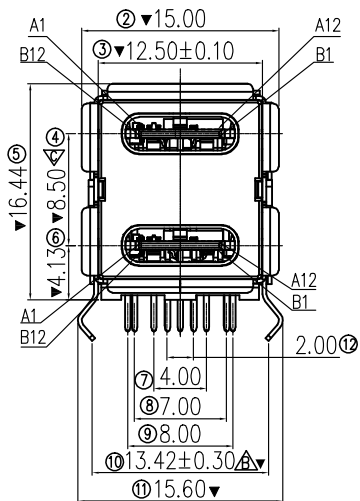
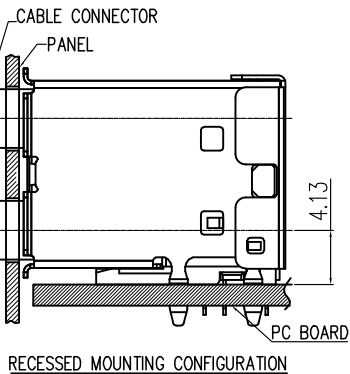
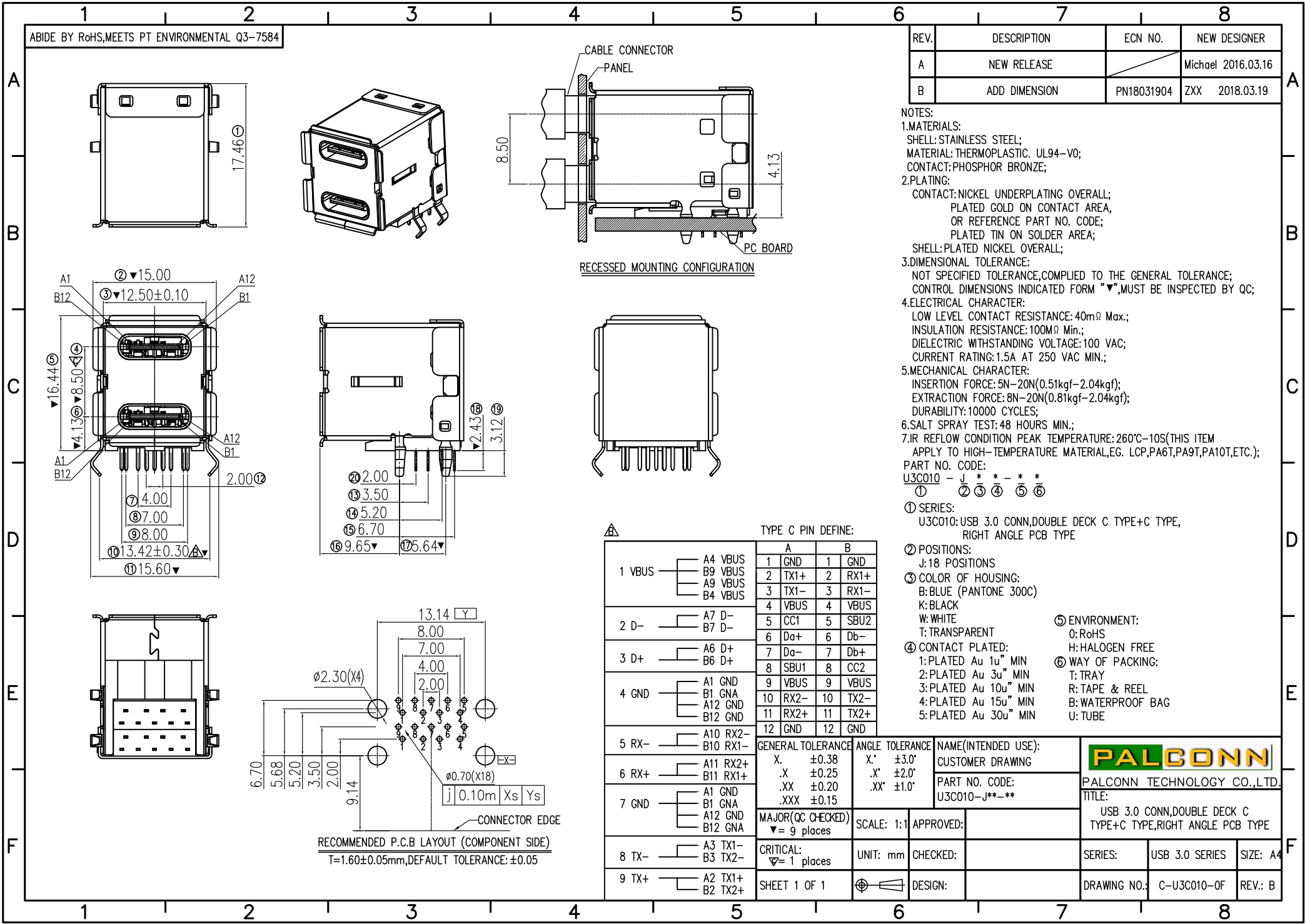


ABIDE BY RoHS,MEETS PT ENVIRONMENTAL Q3-7584

REV.	DESCRIPTION	ECN NO.	NEW DESIGNER
A	NEW RELEASE		Michael 2016.03.16
B	ADD DIMENSION	PN18031904	ZXX 2018.03.19

NOTES:
 1.MATERIALS:
 SHELL: STAINLESS STEEL;
 MATERIAL: THERMOPLASTIC. UL94-V0;
 CONTACT: PHOSPHOR BRONZE;
 2.PLATING:
 CONTACT: NICKEL UNDERPLATING OVERALL;
 PLATED GOLD ON CONTACT AREA,
 OR REFERENCE PART NO. CODE;
 PLATED TIN ON SOLDER AREA;
 SHELL: PLATED NICKEL OVERALL;
 3.DIMENSIONAL TOLERANCE:
 NOT SPECIFIED TOLERANCE, COMPLIED TO THE GENERAL TOLERANCE;
 CONTROL DIMENSIONS INDICATED FORM "▼", MUST BE INSPECTED BY QC;
 4.ELECTRICAL CHARACTER:
 LOW LEVEL CONTACT RESISTANCE: 40mΩ Max.;
 INSULATION RESISTANCE: 100MΩ Min.;
 DIELECTRIC WITHSTANDING VOLTAGE: 100 VAC;
 CURRENT RATING: 1.5A AT 250 VAC MIN.;
 DURABILITY: 10000 CYCLES;
 5.MECHANICAL CHARACTER:
 INSERTION FORCE: 5N-20N(0.51kgf-2.04kgf);
 EXTRACTION FORCE: 8N-20N(0.81kgf-2.04kgf);
 6.SALT SPRAY TEST: 48 HOURS MIN.;
 7.IR REFLOW CONDITION PEAK TEMPERATURE: 260°C-10S(THIS ITEM
 APPLY TO HIGH-TEMPERATURE MATERIAL, EG. LCP, PA6T, PA9T, PA10T, ETC.);
 PART NO. CODE:
 U3C010 - J * * - * *
 ① ② ③ ④ ⑤ ⑥



T=1.60±0.05mm, DEFAULT TOLERANCE: ±0.05

TYPE C PIN DEFINE:

	A	B
1 VBUS	A4 VBUS	B1 GND
	B9 VBUS	2 TX1+
	A9 VBUS	3 TX1-
	B4 VBUS	4 VBUS
2 D-	A7 D-	5 CC1
	B7 D-	6 Da-
3 D+	A6 D+	7 Da-
	B6 D+	8 SBU1
4 GND	A1 GND	9 VBUS
	B1 GNA	10 RX2-
	A12 GND	11 RX2+
	B12 GND	12 GND
5 RX-	A10 RX2-	
	B10 RX1-	
6 RX+	A11 RX2+	
	B11 RX1+	
7 GND	A1 GND	
	B1 GNA	
	A12 GND	
	B12 GNA	
8 TX-	A3 TX1-	
	B3 TX2-	
9 TX+	A2 TX1+	
	B2 TX2+	

① SERIES:
 U3C010: USB 3.0 CONN, DOUBLE DECK C TYPE+C TYPE,
 RIGHT ANGLE PCB TYPE
 ② POSITIONS:
 J: 18 POSITIONS
 ③ COLOR OF HOUSING:
 B: BLUE (PANTONE 300C)
 K: BLACK
 W: WHITE
 T: TRANSPARENT
 ④ CONTACT PLATED:
 1: PLATED Au 1u" MIN
 2: PLATED Au 3u" MIN
 3: PLATED Au 10u" MIN
 4: PLATED Au 15u" MIN
 5: PLATED Au 30u" MIN
 ⑤ ENVIRONMENT:
 0: RoHS
 H: HALOGEN FREE
 ⑥ WAY OF PACKING:
 T: TRAY
 R: TAPE & REEL
 B: WATERPROOF BAG
 U: TUBE

GENERAL TOLERANCE	ANGLE TOLERANCE	NAME (INTENDED USE):	PALCONN
X. ±0.38 .X ±0.25 .XX ±0.20 .XXX ±0.15	X.* ±3.0° .X* ±2.0° .XX* ±1.0°	CUSTOMER DRAWING	
MAJOR (QC CHECKED) ▼ = 9 places	SCALE: 1:1	APPROVED:	PALCONN TECHNOLOGY CO., LTD.
CRITICAL: ▽ = 1 places	UNIT: mm	CHECKED:	TITLE: USB 3.0 CONN, DOUBLE DECK C TYPE+C TYPE, RIGHT ANGLE PCB TYPE
SHEET 1 OF 1	DESIGN:	DRAWING NO.:	SERIES: USB 3.0 SERIES SIZE: A4
		REV.: B	