

ABIDE BY RoHS,MEETS PT ENVIRONMENTAL Q3-7584

REV.	DESCRIPTION	ECN NO.	NEW DESIGNER
A	NEW RELEASE		Michael 2016.04.05
B	ADD DIMENSION	PN18031904	ZXX 2018.03.19

NOTES:

- MATERIALS:
SHELL: STAINLESS STEEL;
MATERIAL: THERMOPLASTIC. UL94-V0;
CONTACT: PHOSPHOR BRONZE;
- PLATING:
CONTACT: NICKEL UNDERPLATING OVERALL;
PLATED GOLD ON CONTACT AREA,
OR REFERENCE PART NO. CODE;
PLATED TIN ON SOLDER AREA;
SHELL: PLATED NICKEL OVERALL;
- DIMENSIONAL TOLERANCE:
NOT SPECIFIED TOLERANCE, COMPLIED TO THE GENERAL TOLERANCE;
CONTROL DIMENSIONS INDICATED FORM "▼", MUST BE INSPECTED BY QC;
- ELECTRICAL CHARACTER:
CONTACT RESISTANCE: TYPE A: 30mΩ Max.; TYPE C: 40mΩ Max.;
INSULATION RESISTANCE: 100MΩ Min.;
DIELECTRIC WITHSTANDING VOLTAGE: 100 VAC;
CURRENT RATING: 1.5A AT 250 VAC MIN.;
- MECHANICAL CHARACTER:
INSERTION FORCE: TYPE A: 35N(3.6kgf)Max.; TYPE C: 5N-20N(0.51kgf-2.04kgf);
EXTRACTION FORCE: TYPE A: 10N(1.02kgf)Min.; TYPE C: 8N-20N(0.81kgf-2.04kgf);
DURABILITY: TYPE A : 5000CYLCES; TYPE C: 10000 CYCLES;
- SALT SPRAY TEST: 48 HOURS MIN.;
- IR REFLOW CONDITION PEAK TEMPERATURE: 260°C-10S(THIS ITEM APPLY TO HIGH-TEMPERATURE MATERIAL, EG. LCP, PA6T, PA9T, PA10T, ETC.);

TYPE A PIN DEFINE:

PIN	SIGNAL NAME
1	VBUS
2	D-
3	D+
4	GND
5	StdA_SSRX-
6	StdA_SSRX+
7	GND_DRAIN
8	StdA_SSTX-
9	StdA_SSTX+

TYPE C PIN DEFINE:

	A	B
1 VBUS	1 GND	1 GND
	2 TX1+	2 RX1+
	3 TX1-	3 RX1-
2 D-	4 VBUS	4 VBUS
	5 CC1	5 SBU2
	6 Da+	6 Db-
3 D+	7 Da-	7 Db+
	8 SBU1	8 CC2
4 GND	9 VBUS	9 VBUS
	10 RX2-	10 TX2-
	11 RX2+	11 TX2+
5 RX-	12 GND	12 GND
6 RX+		
7 GND		
8 TX-		
9 TX+		

① SERIES:

U3C011: USB 3.0 CONN, DOUBLE DECK RIGHT ANGLE A TYPE+C TYPE PCB TYPE

② POSITIONS:

J: 18 POSITIONS

③ COLOR OF HOUSING:

B: BLUE
K: BLACK
W: WHITE

④ CONTACT PLATED:

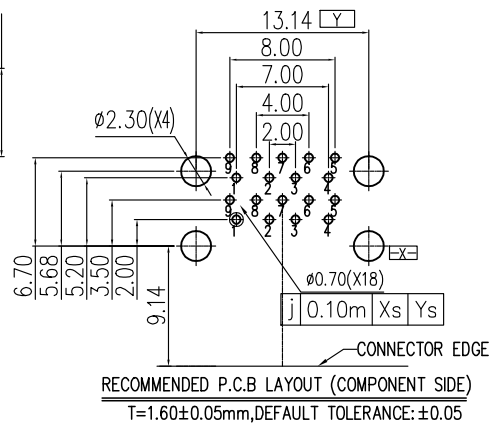
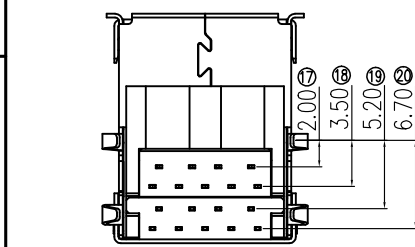
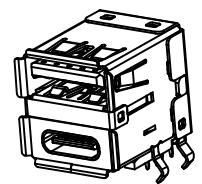
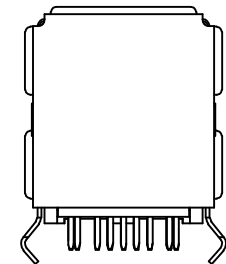
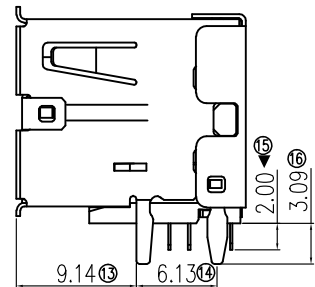
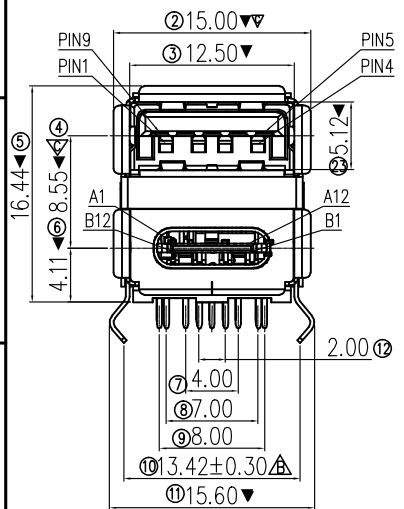
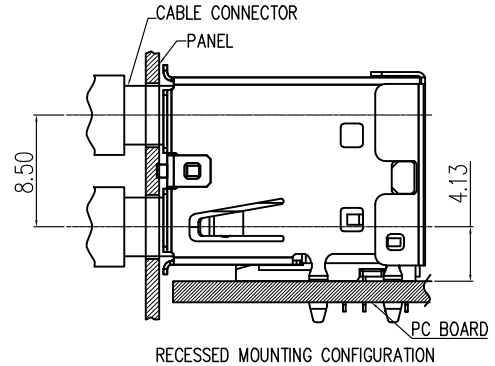
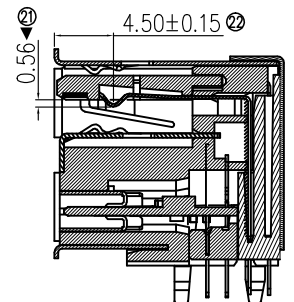
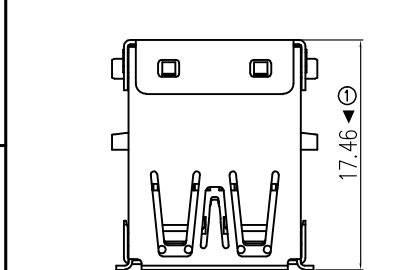
- PLATED Au 1u" MIN
- PLATED Au 3u" MIN
- PLATED Au 10u" MIN
- PLATED Au 15u" MIN
- PLATED Au 30u" MIN

⑤ ENVIRONMENT:

O: RoHS
H: HALOGEN FREE

⑥ WAY OF PACKING:

T: TRAY
R: TAPE & REEL
B: WATERPROOF BAG
U: TUBE



GENERAL TOLERANCE	ANGLE TOLERANCE	NAME (INTENDED USE):
X. ±0.38	X' ±3.0°	CUSTOMER DRAWING
.X ±0.25	.X' ±2.0°	PART NO. CODE:
.XX ±0.20	.XX' ±1.0°	U3C011-J**-**
.XXX ±0.15		

PALCONN
PALCONN TECHNOLOGY CO., LTD.
TITLE: USB 3.0 CONN, DOUBLE DECK RIGHT ANGLE A TYPE+C TYPE PCB TYPE
SERIES: USB 3.0 SERIES
DRAWING NO.: E-U3C011-0F
REV.: C