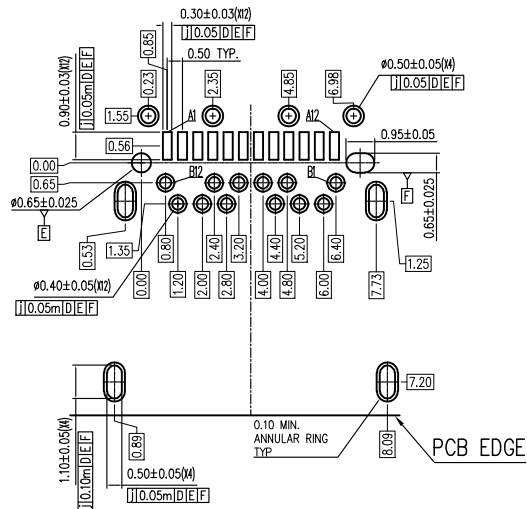
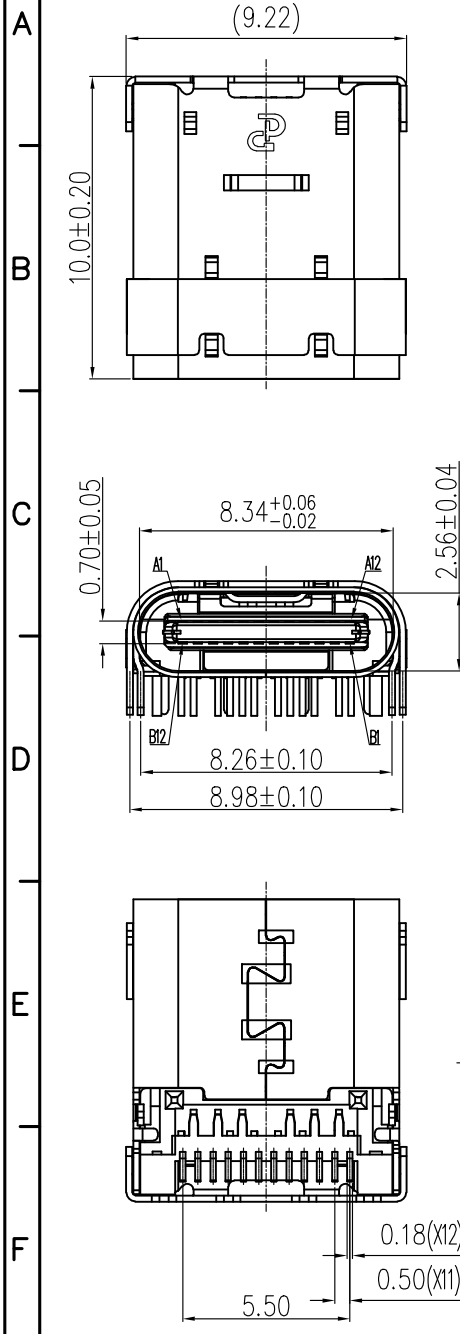
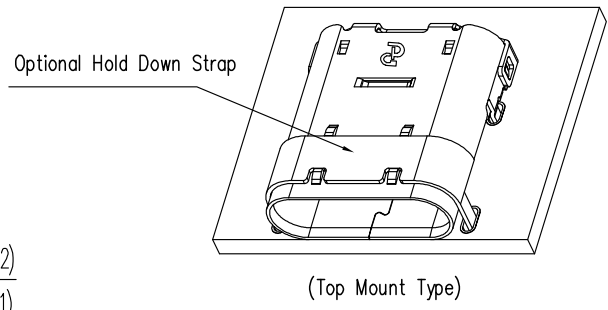
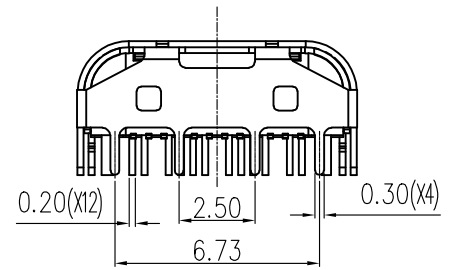
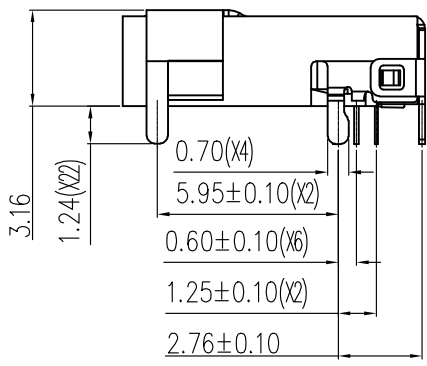


ABIDE BY RoHS, MEETS PT ENVIRONMENTAL Q3-7584



PIN DEFINITION			
PIN	SIGNAL NAME	PIN	SIGNAL NAME
A1	GND	B12	GND
A2	SSTXp1	B11	SSRXp1
A3	SSTXn1	B10	SSRXn1
A4	VBUS	B9	VBUS
A5	CC1	B8	SBU2
A6	Dp1	B7	Dn2
A7	Dn1	B6	Dp2
A8	SBU1	B5	CC2
A9	VBUS	B4	VBUS
A10	SSRXn2	B3	SSTXn2
A11	SSRXp2	B2	SSTXp2
A12	GND	B1	GND

RECOMMENDED PCB LAYOUT
PCB THICKNESS=1.00MM(TOLERANCE=±0.05)



REV.	DESCRIPTION	ECN NO.	NEW DESIGNER
X1	NEW RELEASE		LZW 2015.03.19
X6	ADD "Top Mount Type "		LZW 2015.12.24
X7	ADD PIN DEFINITION		LZW 2016.07.27

NOTES:
1. MATERIALS:
SHELL: STAINLESS STEEL,
GROUND PLATES: STAINLESS STEEL,
HOLD DOWN STRAP: STAINLESS STEEL,
HOUSING: THERMOPLASTIC, UL94-V0, BLACK;
CONTACT: COPPER ALLOY,
2. PLATING:
CONTACT: 80u" Min. NICKEL UNDERPLATING OVERALL;
PLATED GOLD 30u" Min. ON CONTACT AREA,
OR REFERENCE PART NO. CODE;
PLATED MATTE TIN 120u" Min. ON SOLDER AREA;
SHELL: PLATED MATTE TIN OVERALL;
3. DIMENSIONAL TOLERANCE:
NOT SPECIFIED TOLERANCE, COMPLIED TO THE GENERAL TOLERANCE;
CONTROL DIMENSIONS INDICATED FORM "▼", MUST BE INSPECTED BY QC;
4. ELECTRICAL CHARACTERISTICS:
LOW LEVEL CONTACT RESISTANCE: 40mΩ Max.;
INSULATION RESISTANCE: 100MΩ Min.;
DIELECTRIC WITHSTANDING VOLTAGE: 100 VAC;
CONTACT CURRENT RATING: 5A Max;
5. MECHANICAL CHARACTERISTICS:
INSERTION FORCE: 5~20N;
EXTRACTION FORCE: 8~20N;
DURABILITY: 10000 CYCLES;
6. IR REFLOW CONDITION PEAK TEMPERATURE: 260°C-10S;
7. OPERATING TEMPERATURE RANGE -40°C TO +85°C;
8. USB-IF VID: 5510
9. PATENT NUMBER: ZL2014102213816;
PART NO. CODE:
UTC001 - O K * - H R
① ② ③ ④ ⑤ ⑥
① SERIES:
UTC001: USB 3.1 TYPE-C HYBRID RIGHT-ANGLE RECEPTACLE
② POSITIONS: O: 24 POSITIONS ⑤ ENVIRONMENT: O: RoHS
③ COLOR OF HOUSING: K: BLACK H: HALOGEN FREE
W: WHITE ⑥ WAY OF PACKING: R: TAPE & REEL
④ CONTACT PLATED:
2: PLATED Au 3u" MIN
3: PLATED Au 10u" MIN
5: PLATED Au 30u" MIN

GENERAL TOLERANCE		ANGLE TOLERANCE		NAME (INTENDED USE):		PALCONN
X.	±0.38	X°	±3.0°	CUSTOMER DRAWING		
.X	±0.25	.X°	±2.0°	PART NO. CODE:		
.XX	±0.20	.XX°	±1.0°	UTC001-O**-**		TITLE:
.XXX	±0.15			MAJOR (QC CHECKED):	SCALE: 1:1	APPROVED: Brian 2016.07.27
▼ = 0 places						USB 3.1 TYPE-C HYBRID RIGHT-ANGLE RECEPTACLE
CRITICAL: ▼ = 0 places		UNIT: mm	CHECKED: Michael 2016.07.27	SERIES:	USB TYPE C	SIZE: A4
SHEET 1 OF 2		DESIGN: DHM 2016.07.27	DRAWING NO.:	C-UTC001-01	REV.:	X7