

ABIDE BY ROHS,MEETS PT ENVIRONMENTAL Q3-7584

REV.	DESCRIPTION	ECN NO.	NEW DESIGNER
A	NEW RELEASE	\	Evan 2016.07.26
B	修改结构,改善贴片制程	PN17052301	Evan 2017.05.24
C	变更图号及料号		Michael 2018.10.25

NOTES:

- MATERIALS:
SHELL: STAINLESS STEEL,
SPRING/LATCH: STAINLESS STEEL,
HOUSING: THERMOPLASTIC,
CONTACT: COPPER ALLOY,
- PLATING:
CONTACT: CONTACT AREA Au PLATED 30u"Min. OR REFER TO THE PART NO. CODE DEFINED. UNDER PLATE 80u"Min.NICKEL OVERALL. 120u" Min.TIN PLATING ON SOLDER TAIL
LATCH: UNDER PLATE 50u"Min.NICKEL OVERALL 120u" Min. TIN PLATING ON SOLDER TAIL

SHELL: 30u"Min. NICKEL PLATING OVERALL

- ELECTRICAL PERFORMANCE:
INSULATION RESISTANCE: 100Mohm MIN.
CONTACT RESISTANCE: 40mohm MAX.
DIELECTRIC WITHSTANDING: 100 VAC
CURRENT RATING: 5A MAX.

- MECHANICAL PERFORMANCE:
MATING FORCE: 5~20N
UNMATING FORCE: 8~20N
DURABILITY: 10000 CYCLES
PART NO. CODE
UTC002- N * * - * *

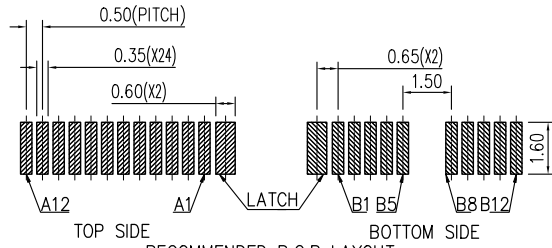
① ② ③ ④ ⑤ ⑥

- SERIES:
UTC002: USB TYPE-C FULL-FEATURED SMT PLUG, 22 POSITIONS

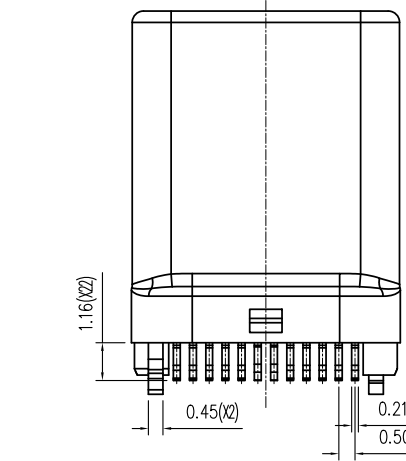
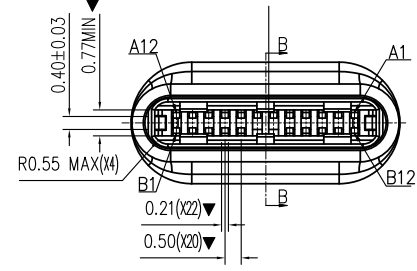
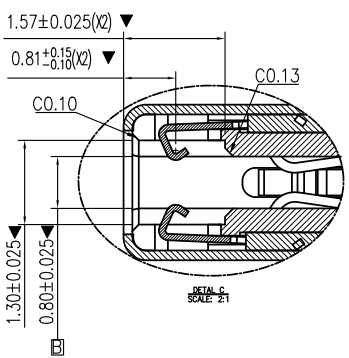
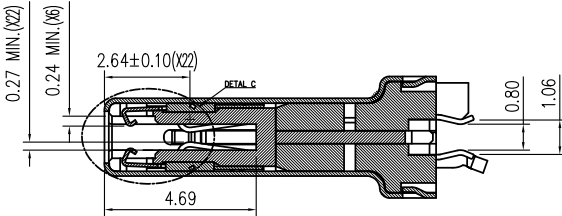
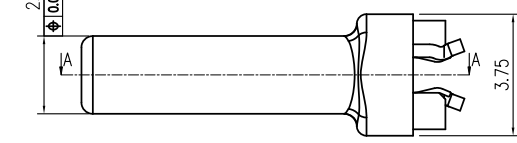
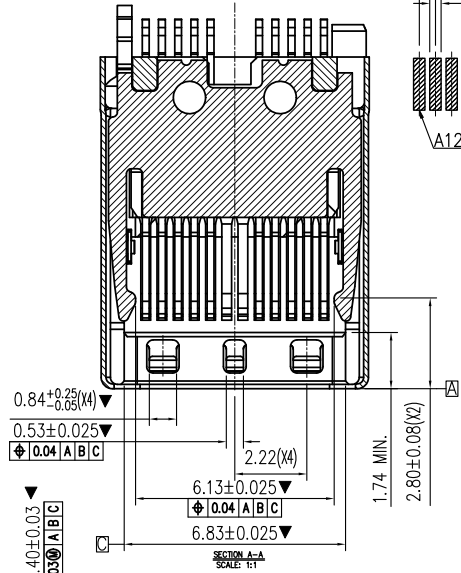
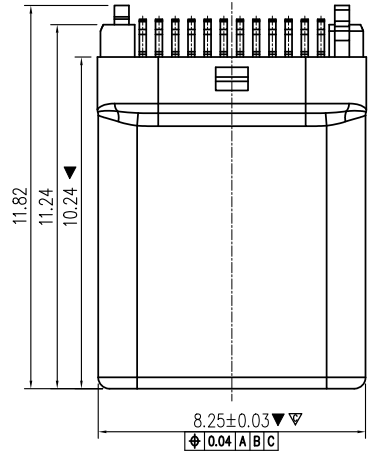
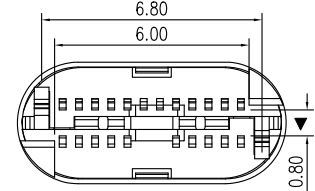
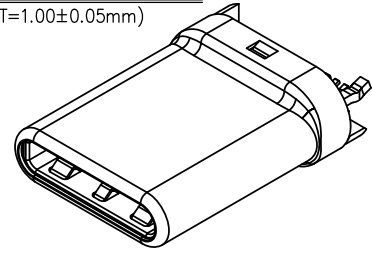
- POSITIONS:
N: 22 POSITIONS.
- INSULATOR COLOR:
K: BLACK
W: WHITE

- CONTACT PLATING:
2: PLATED AU 3U" MIN
3: PLATED AU 10U" MIN
5: PLATED AU 30U" MIN


- ENVIRONMENT:
O: RoHS
H: HALOGEN FREE
- WAY OF PACKING:
T: TRAY
R: TAPE & REEL



RECOMMENDED P.C.B LAYOUT
(T=1.00±0.05mm)



PIN DEFINITION			
PIN	Signal Name	PIN	Signal Name
A1	GND	B12	GND
A2	TX1+	B11	RX1+
A3	TX1-	B10	RX1-
A4	VBUS	B9	VBUS
A5	CC	B8	SBU2
A6	D+	B7	
A7	D-	B6	
A8	SBU1	B5	VCONN
A9	VBUS	B4	VBUS
A10	RX2-	B3	TX2-
A11	RX2+	B2	TX2+
A12	GND	B1	GND

GENERAL TOLERANCE	ANGLE TOLERANCE	NAME(INTENDED USE): CUSTOMER DRAWING		 PALCONN TECHNOLOGY CO.,LTD. TITLE: USB TYPE-C FULL-FEATURED PLUG, 22 POSITIONS SMT TYPE		
X. ±0.38	X.* ±2.0°	PART NO. CODE: UTC002-N**-**				
.X ±0.25	.X* ±1.0°	MAJOR(QC CHECKED)	SCALE: 1:1	APPROVED:	SERIES:	USB TYPE C
.XX ±0.20	.XX* ±0.5°	▽= 19 places	UNIT: mm	CHECKED:	SIZE: A4	
.XXX ±0.15		CRITICAL: ▽= 1 places	SHEET 1 OF 2	DESIGN:	DRAWING NO.:	C-UTC002-0C
					REV.:	C