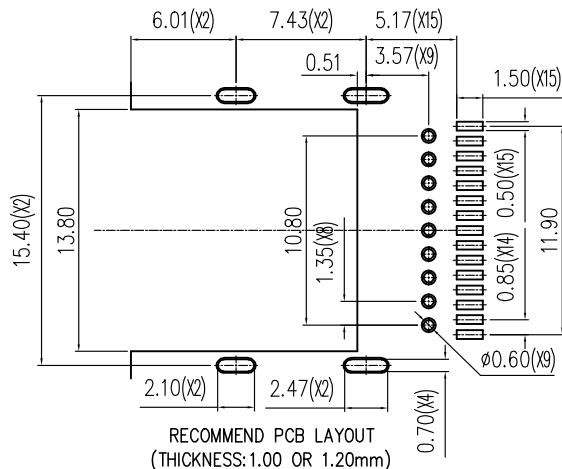
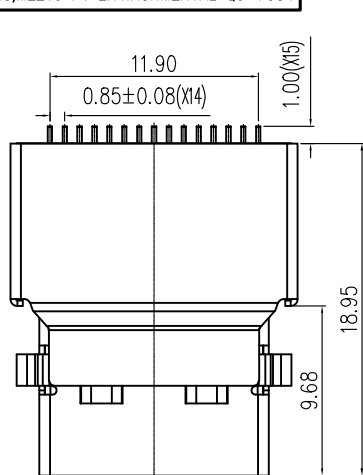


ABIDE BY RoHS,MEETS PT ENVIRONMENTAL Q3-7584

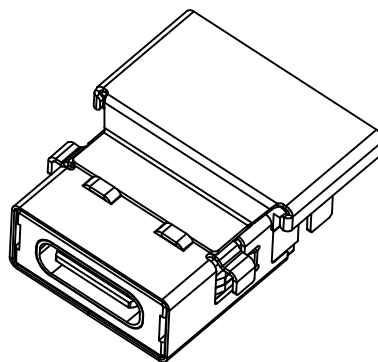
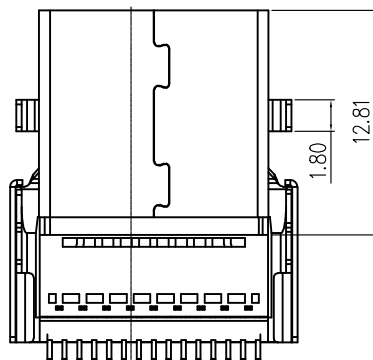
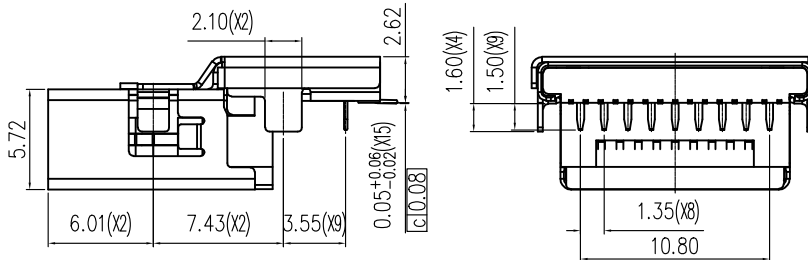
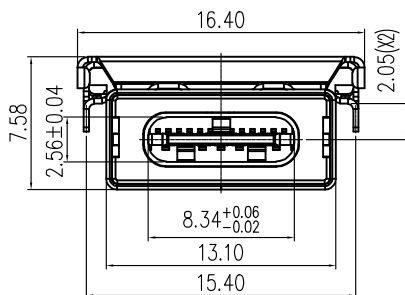
REV.	DESCRIPTION	ECN NO.	NEW DESIGNER
X1	NEW RELEASE		Michael 2017.07.12
X2	配合塑膜修改压端子位置		Michael 2017.07.12

A
B
C
D
E
F

A
B
C
D
E
F



RECOMMEND PCB LAYOUT
(THICKNESS:1.00 OR 1.20mm)



NOTES:

- MATERIALS:
SHELL: STAINLESS STEEL;
HOUSING: THERMOPLASTIC. UL94-V0;
CONTACT: HIGH-CONDUCTIVITY COPPER ALLOYS
- PLATING:
CONTACT: NICKEL UNDERPLATING OVERALL;
PLATED GOLD ON CONTACT AREA,
OR REFERENCE PART NO. CODE;
PLATED TIN ON SOLDER AREA;
SHELL: PLATED NICKEL OVERALL;
- DIMENSIONAL TOLERANCE:
NOT SPECIFIED TOLERANCE, COMPLIED TO THE GENERAL TOLERANCE;
CONTROL DIMENSIONS INDICATED FORM "▼", MUST BE INSPECTED BY QC;
- ELECTRICAL CHARACTER:
LOW LEVEL CONTACT RESISTANCE: 40mΩ Max.;
INSULATION RESISTANCE: 100MΩ Min.;
DIELECTRIC WITHSTANDING VOLTAGE: 100 VAC;
CURRENT RATING: 5A AT 250 VAC MIN.;
- MECHANICAL CHARACTER:
INSERTION FORCE: 5~20N;
EXTRACTION FORCE: 8~20N;
DURABILITY: 10000 CYCLES;
- SALT SPRAY TEST: 48 HOURS MIN.;
- IR REFLOW CONDITION PEAK TEMPERATURE: 260°C-10S (THIS ITEM APPLY TO HIGH-TEMPERATURE MATERIAL, E.G. LCP, PA6T, PA9T, PA10T, ETC.);

PART NO. CODE:

UTC033 - 0 * * - * *

① ② ③ ④ ⑤ ⑥

- SERIES:
UTC033: USB 3.1 TYPE C CONN.RECEPTACLE
PLATE SINKING, 9+15PIN
- POSITIONS:
0: 24 POSITIONS
- COLOR OF HOUSING:
B: BLUE (PANTONE 300C)
K: BLACK
W: WHITE
T: TRANSPARENT
- ENVIRONMENT:
0: RoHS
H: HALOGEN FREE
- WAY OF PACKING:
R: TAPE & REEL
B: WATERPROOF BAG
U: TUBE
- CONTACT PLATED:
1: PLATED Au 1u" MIN
2: PLATED Au 3u" MIN
3: PLATED Au 10u" MIN
4: PLATED Au 15u" MIN
5: PLATED Au 30u" MIN

DATE CODE MARKING STANDARD:
XXXXX
WORK DAY
(E.G: 1 FOR MONDAY)
(E.G: 2 FOR TUESDAY)
(E.G: 3 FOR WEDNESDAY)
(E.G: 4 FOR THURSDAY)
(E.G: 5 FOR FRIDAY)
(E.G: 6 FOR SATURDAY)
(E.G: 7 FOR SUNDAY)
WEEK
(E.G: 01 FOR 01 WEEK)
YEAR
(E.G: 12 FOR 2012)

GENERAL TOLERANCE		ANGLE TOLERANCE		NAME (INTENDED USE):	
X.	±0.38	X°	±3.0°	PART NO. CODE: UTC033-0**-**	
.X	±0.25	.X°	±2.0°		
.XX	±0.20	.XX°	±1.0°	TITLE: USB 3.1 TYPE C CONN.RECEPTACLE PLATE SINKING, 9+15PIN	
.XXX	±0.15				
MAJOR (QC CHECKED) ▼ = 0 places	SCALE: 1:1	APPROVED:			
CRITICAL: ▼ = 0 places	UNIT: mm	CHECKED:	SERIES:	USB 3.1 SERIES	SIZE: A4
SHEET 1 OF 1	DESIGN:	Michael 2017.07.12	DRAWING NO.:	E-UTC033-03	REV.: X2



PALCONN TECHNOLOGY CO., LTD.

A1	A2	A3	A4	A5	A6	A7	A8	A9	A10	A11	A12	A13	A14	A15
RX2+	RX2-	VBUS	TX2+	TX2-	SBU1	D+	D-	D-	D+	RX2-	RX2+	VBUS	TX1-	TX1+
B1	B2	B3	B4	B5	B6	B7	B8	B9						
GND	VBUS	CC2	GND	GND	CC1	SBU2	VBUS	GND						

1 2 3 4 5 6 7 8