

ABIDE BY RoHS,MEETS PT ENVIRONMENTAL Q3-7584

REV.	DESCRIPTION	ECN NO.	NEW DESIGNER
A	NEW RELEASE		Liuli 2017.04.26

NOTES:
 1.MATERIALS:
 HOUSING:LCP E130I+30%GF UL94-V0;
 CONTACT:PHOSPHOR BRONZE C1800,T=0.65mm;
 2.PLATING:
 CONTACT:NICKEL UNDERPLATING OVERALL;
 PLATED Au30u" AND AU ON CONTACT AREA,
 OR REFERENCE PART NO. COD
 3.DIMENSIONAL TOLERANCE:
 NOT SPECIFIED TOLERANCE,COMPLIED TO THE GENERAL TOLERANCE;
 CONTROL DIMENSIONS INDICATED FORM "▼",MUST BE INSPECTED BY QC;
 4.ELECTRICAL CHARACTER:
 LOW LEVEL CONTACT RESISTANCE:50mΩ Max.;
 INSULATION RESISTANCE:100MΩ Min.;
 DIELECTRIC WITHSTANDING VOLTAGE:500 VAC;
 CURRENT RATING:4A AT 220 VDC MIN.;
 5.MECHANICAL CHARACTER:
 INSERTION FORCE:50N(5.10kgf)Max.;
 EXTRACTION FORCE:15N(1.53kgf)Min.;
 DURABILITY:2000 CYCLES;
 6.SALT SPRAY TEST:24 HOURS MIN.;
 7.IR REFLOW CONDITION PEAK TEMPERATURE:260°C-10S,
 (THIS ITEM APPLY TO HIGH-TEMPERATURE MATERIAL,EG.
 LCP,PA6T,PA9T,PA10T,ETC.);

PART NO. CODE:
 WAF027 - 4 * * - * *
 ① ② ③ ④ ⑤ ⑥

① SERIES:
 WAF027:HDD POWER RECEPTACLE DIP TYPE

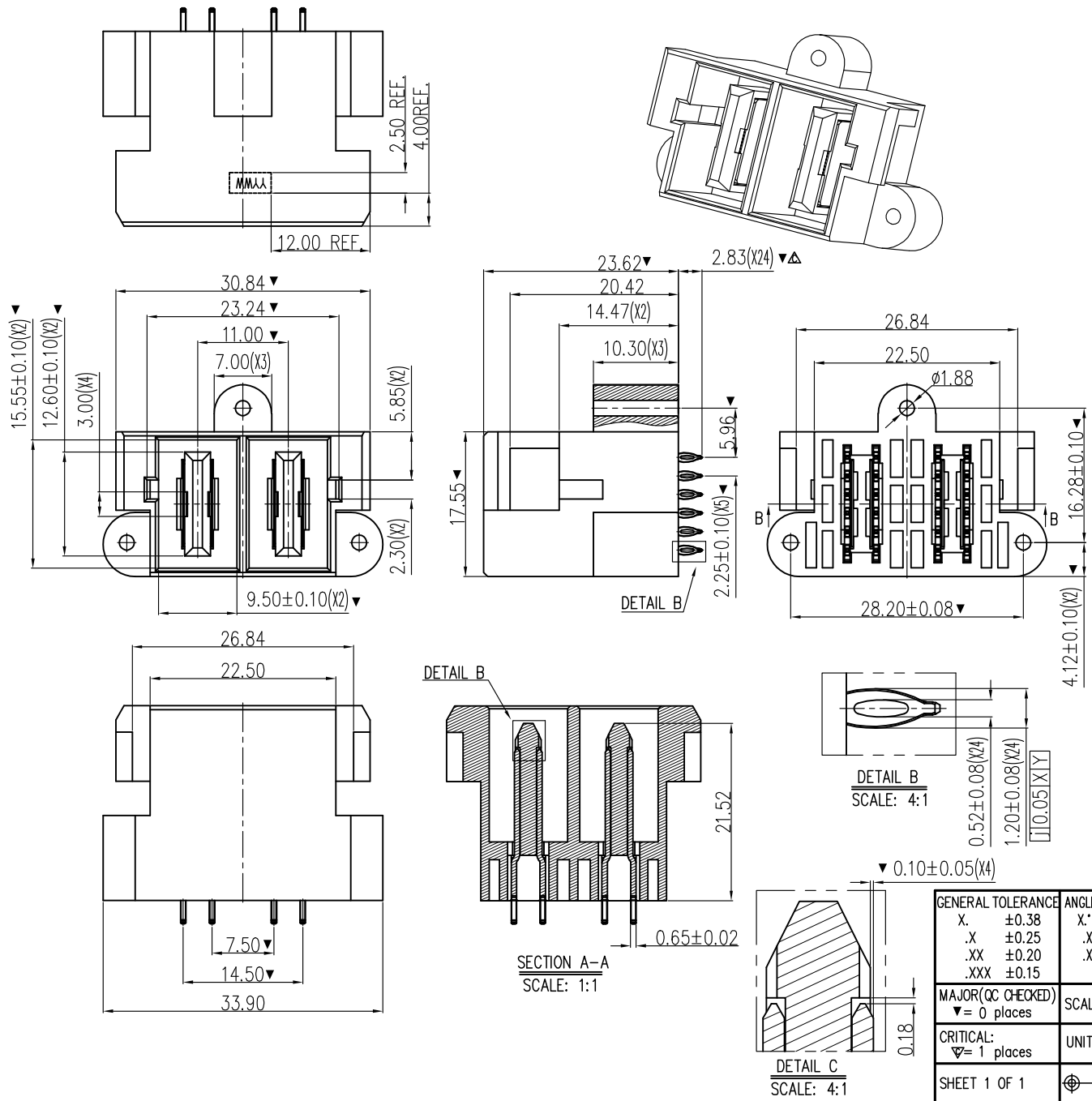
② POSITIONS:
 4: 4 POSITIONS

③ COLOR OF HOUSING:
 K: BLACK
 W: WHITE
 C: CREAM-COLOR

④ CONTACT PLATED:
 1:PLATED Au 1u" MIN
 2:PLATED Au 3u" MIN
 3:PLATED Au 10u" MIN
 4:PLATED Au 15u" MIN
 5:PLATED Au 30u" MIN

⑤ ENVIRONMENT:
 0:RoHS
 H: HALOGEN FREE

⑥ WAY OF PACKING:
 T: TRAY
 R: TAPE & REEL



SECTION A-A
SCALE: 1:1

DETAIL B
SCALE: 4:1

DETAIL C
SCALE: 4:1

GENERAL TOLERANCE X. ±0.38 .X ±0.25 .XX ±0.20 .XXX ±0.15	ANGLE TOLERANCE X.* ±3.0° .X.* ±2.0° .XX.* ±1.0°	NAME(INTENDED USE): CUSTOMER DRAWING	PALCONN PALCONN TECHNOLOGY CO.,LTD.
MAJOR(QC CHECKED) ▼= 0 places	SCALE: 1:1	APPROVED:	
Critical: ▽= 1 places	UNIT: mm	CHECKED:	SERIES: SOUND SERIES
SHEET 1 OF 1	DESIGN:	DRAWING NO.:	SIZE: A4
			REV.: A

PALCONN

PALCONN TECHNOLOGY CO.,LTD.
TITLE:
HDD POWER RECEPTACLE DIP TYPE

SERIES: SOUND SERIES

DRAWING NO.: C-WAF027-04