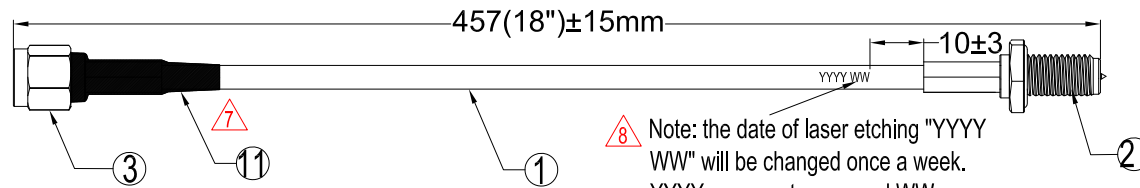


Approved Cable Suppliers				
Item #	Supplier name	Part Number	UL #	Raw cable jacket mark
1	COPARTNER	5570120004	UL E119932	E119932 VM STYLE 1365 60°C 300V RG58/U 50 OHM COAXIAL CABLE

REV	DESCRIPTION	ECN. NO.	APPROVED/DATE
0	NEW RELEASE		AJJIULUAN 2015/08/12
1	新增的天线、外壳、螺丝、天线罩等配件，删除天线配件，WiFi天线配件	PN17031702	KEN 2017/03/11
2	变更包装数量	PN17052602	HLQ 2017/05/26
3	增加生产日期及标签	PN18041901	HLQ 2018/04/19
4	变更出货标签格式	PN18052102	HLQ 2018/05/21
5	增加天线规格要求		LGZ 2018/07/04
6	Add raw cable suppliers Change P/N minus 03 to minus 04	PN18110601	LGH 2018/11/06
7	新增白色套管，天线厂家由SAVE改为莲蓉瑞丰	PN19021301	LGH 2019/02/13
8	更改天线生产日期	PN19030701	LGH 2019/03/07



Note: the date of laser etching "YYYY WW" will be changed once a week. YYYY represents year and WW represents week

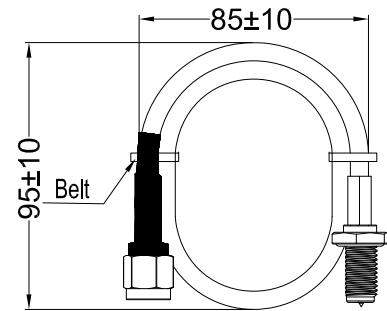


Chart 1
The cable to be twisted with two pieces of belt as above.

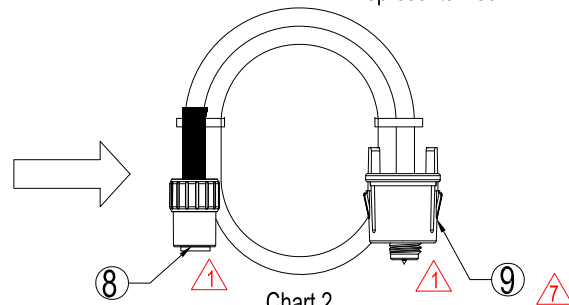


Chart 2
Assembly plastic knob and panel knockout to match connector.

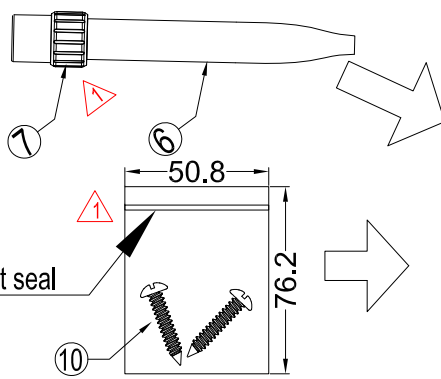


Chart 3
Put plastic knob with WiFi antenna and cable with plastic knobs & screws inside small PE bag into big PE bag.

ELECTRICAL CHARACTER:

- 100% Open&Short testing
- 1.Cable Withstanding Voltage: 300V AC/DC Min
- 2.Cable Insulation Resistance: 10M Ohm Min
- 3.Cable Conductive Resistance: 2 Ohms Max

WIFI ANTENNA ELECTRICAL CHARACTER:

- 1.Frequency Range:2400-2500MHZ
- 2.Input Impedance:50 OHM
- 3.VAWR:2.0 Max
- 4.Return Loss:-10 DBI MAX
- 5.Gain: 3.0 DBI

NOTE:
1. pull test:More than 177N

11	Tube	1pcs		Heat-shrinkable Tube With glue PVC ϕ 6.4MM*L25 WHITE, VW-1
10	Screw	2pcs		#10sheet metal screw, 1"long
9	Knockout plug	1pcs		1/2"panel knockout plug for SMA,white
8	Plastic knob	1pcs		for antenna extension cable,gray
7	Plastic knob	1pcs		for WiFi antenna,gray.
6	WiFi Antenna	1pcs		RP-SMA,3dB gain,white (LianRong Ruifeng)
5	PE BAG	1pcs		L160*W105*T0.05MM (6.3"*4.1") reclosable
4	PE BAG	1pcs		L76.2*W50.8*T0.05MM (3"*2") PE 50.8mm for open end.
3	CONNECTOR	1set		RP SMA FEMALE
2	CONNECTOR	1set		RP SMA MALE
1	CABLE	457mm		RG-58 COAXIAL-CABLE 50 OHM, COLOR: WHITE OD:5.0MM

ITEM	PART NAME	QTY	PART NO:	DESCRIPTION
GENERAL TOLERANCE		ANGLE TOLERANCE		NAME (INTENDED USE) CUSTOMER DRAWING
MAJOR (QC CHECKED) ▼ = places		UNIT mm		CUSTOMER P/N: MAEC-ASSY-01
SHEET 1 OF 2		DESIGN: LGH		DATE 2019/03/07

PALCONN
PALCONN TECHNOLOGY CO.,LTD.

TITLE:
ANTENNA EXTENSION CABLE

SERIES: SIZE: A4

DRAWING NO: HSG-WI-001-015 REV.8

RoHS Compliant